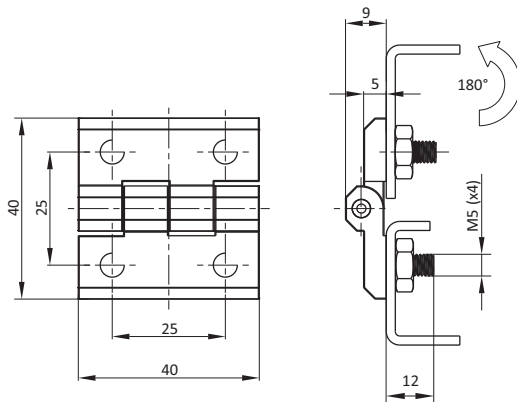
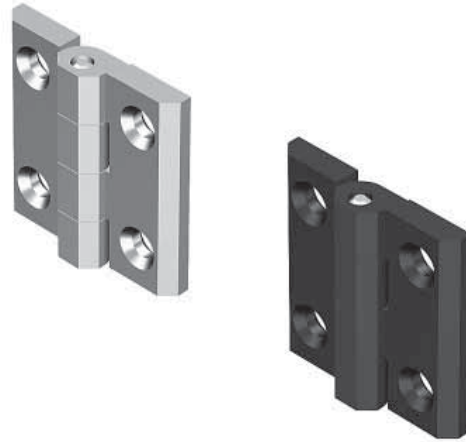
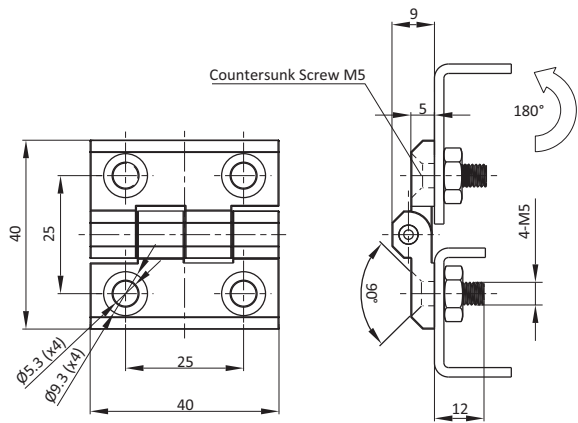


SCREW-ON HINGES

DESCRIPTION	To hinge panels
MATERIAL	Hinge leaves: Die-cast zinc / stainless steel Hinge pin: Mild steel
SURFACE	Hinge leaves: Black powder coated / chrome plated Hinge pin: 304 Stainless Steel
SPECIALS	Non lift off



Version

Black Powder Coated

Chrome Plated

SS 316

Countersunk Screw M5

SOH5
SOH5S02
SOH40E

M5 Studs

SOHM113
SOHM114