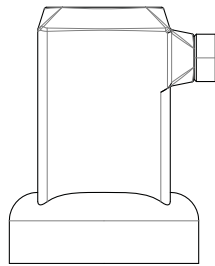
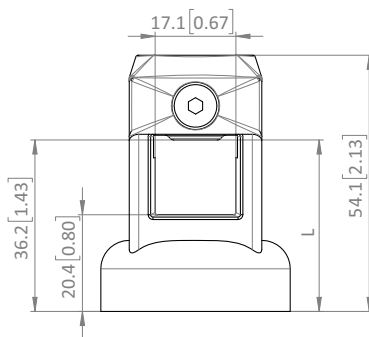
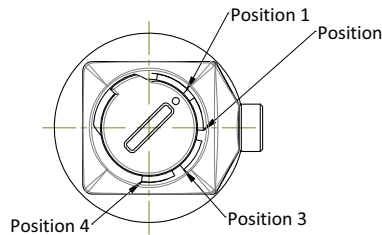


ADJUSTABLE ROD GUIDE

DESCRIPTION	To guide flat rods parrallel to a door and add extra security to door latching and locking.
MATERIAL	PA6 30
COLOR	Black



Position	L	
	Milimeters	Inch
1	36.2	1.43
2	34.6	1.36
3	33.1	1.30
4	31.5	1.24



- Four position adjustable rod guide with ball detent for quick gasket compression adjustment
- Attaches to any 1/4-20 x 0.50" long stud
- Material: PA 30
- For use with 0.375" x 0.625 or smaller rectangular rod system

Description	Part #
Use Wiith 1/4-20 Stud	ARG478
Use Wiith M6 X 1 Stud	ARG478S01