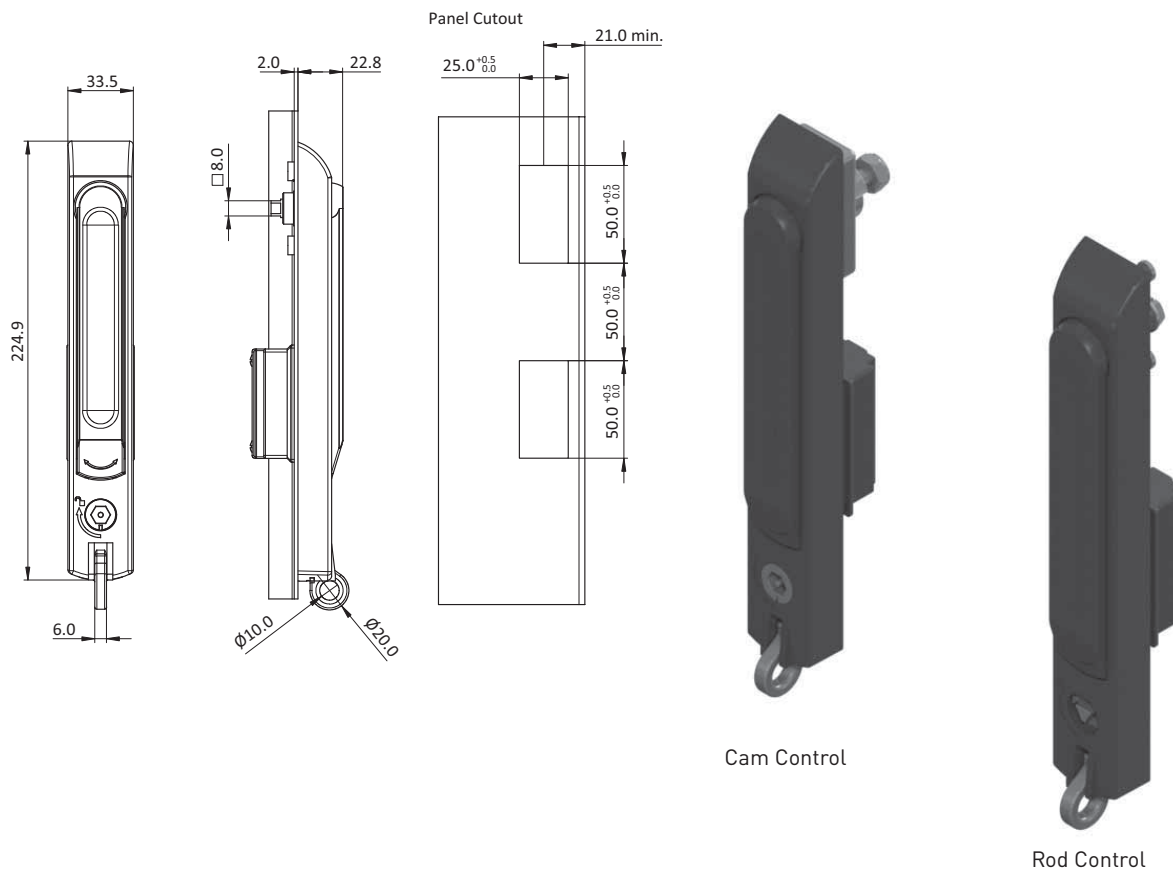


VANDAL RESISTANT SWING HANDLE

DESCRIPTION	For easy and secure latching and locking of doors and flaps. Wide range of inserts, cams, and accessories.
MATERIAL	Base: PA, glass fiber reinforced Handle: Die cast zinc Remaining components: 316 SS
COLOR	Black
SPECIALS	Rod Control and Cam Control Right and Left IP65 / NEMA 4 Vandal Resistant Design Lock insert options on request


Vandal Resistant Swing Handle

TELCO Z16 C 5/16 HEX WITH 0.125 PIN

TELCO Z16 C 7/16 HEX

8mm Triangular Insert

Cam Control	VRSH478	VRSH479	VRSH184
Rod Control	VRSH179	VRSH475	VRSH185