

simply
practical

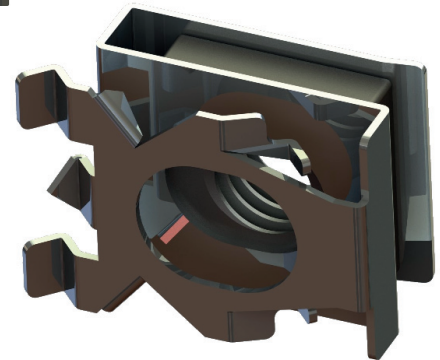
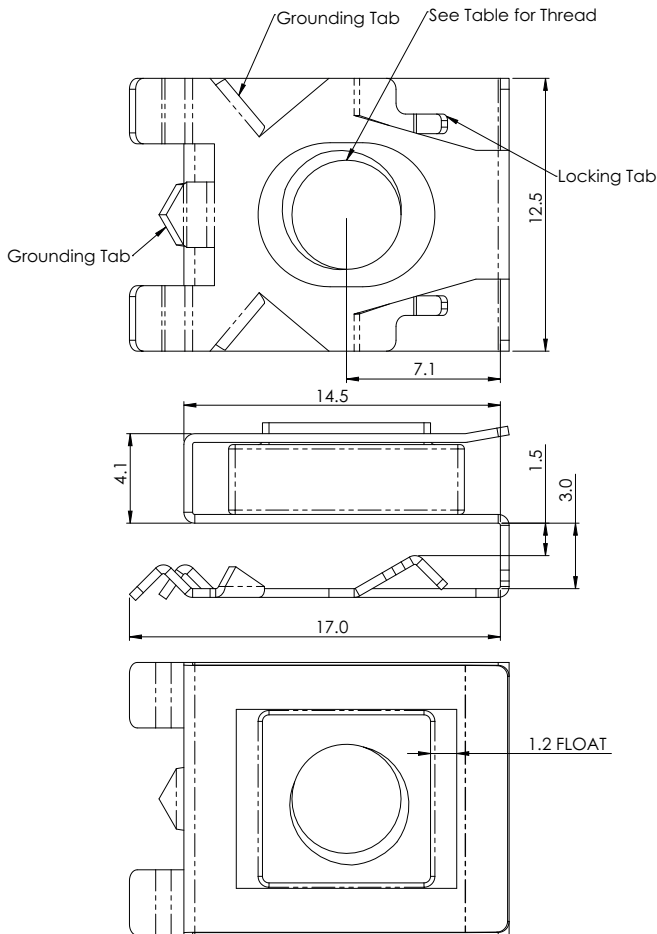


ALL ELECTRONICS HARDWARE

WWW.AEHONLINE.COM

1-800-778-7234

EIA Rail Cage Nut



Industry Unique Features

- Tool-less Installation
- Floating Nut
- Grounding Tabs Built In
- For EIA Rail Thickness 2.0mm-3.0mm

MATERIAL

Cage - Spring Stainless Steel. 0.040mm Thick
510HRB Hardness

Nut - Die Cast Zinc

FINISH

Cage - Passivated

Nut - Clear Zinc Plated

Part No:	Thread Size
EIARCN414	M4-0.7
EIARCN414S01	M5-0.8
EIARCN414S02	M6-1.0
EIARCN414S03	#10-32
EIARCN414S04	#12-24
EIARCN414S05	1/4-20

simply
practical

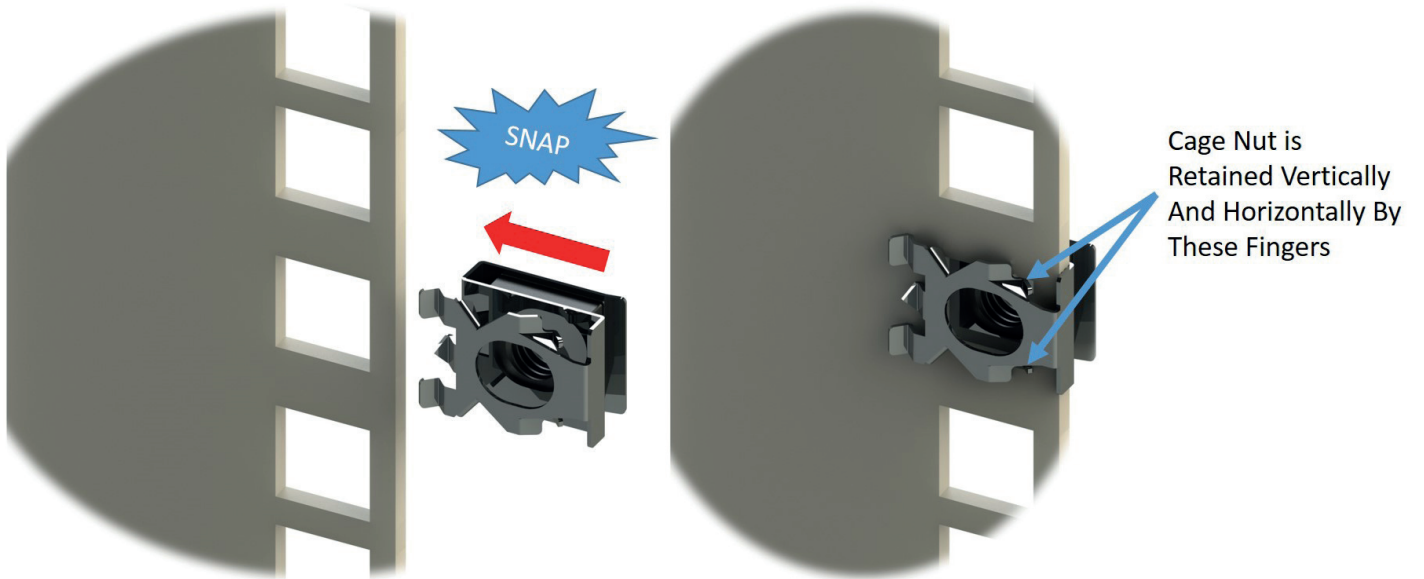


ALL ELECTRONICS HARDWARE

WWW.AEHONLINE.COM

1-800-778-7234

INSTALL



UNINSTALL

