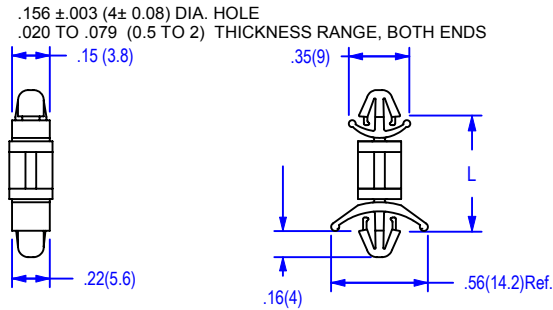


01-01

ITEM NO	L ±.015 (0.38)	
	In.	mm
01-01-30	.350	8.9
01-01-40	.413	10.5
01-01-50	.476	12.1
01-01-60	.539	13.7
01-01-70	.602	15.3
01-01-80	.661	16.8
01-01-100	.787	20
01-01-120	1.18	30

PACKAGING: 500 PER BAG



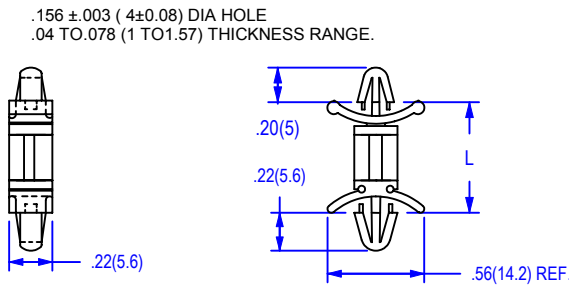
01-05

UL 94V-2	L ±.015 (0.38)	
	Inches	(mm)
01-05-30	.350	8.9
01-05-40	.402	10.2
01-05-60	.528	13.4
01-05-70	.590	15.0
01-05-80	.650	16.5
01-05-100	.775	19.7
01-05-120	.902	22.9
01-05-140	1.024	26

PACKAGING: 500 PER BAG

MATERIAL	NYLON 66
UL RATING	94V-2
UL FILE NO.	E53664
COLOR	NATURAL
ASTM	D 4066
RoHS COMPLIANCE	YES
TEMPERATURE RANGE (REF.)	-40 to 185°F (-40 to 85°C)
MR NUMBER	05

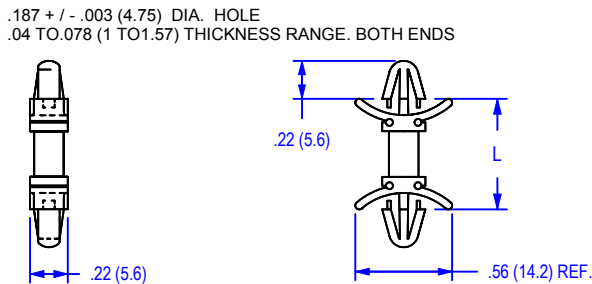
NYLON 66 RATED UL94V-0 AVAILABLE UPON REQUEST
TO ORDER ADD SUFFIX "X" TO PART NUMBER.



01-00

PART NO	L ±.015 (0.38)	
	In.	mm
01-00-30	.343	8.7
01-00-40	.405	10.3
01-00-50	.468	11.9
01-00-60	.530	13.5
01-00-70	.593	15.1
01-00-80	.655	16.6
01-00-90	.718	18.2
01-00-100	.780	19.8
01-00-110	.843	21.4
01-00-120	.905	23
01-00-130	.968	24.6
01-00-140	1.030	26.2
01-00-160	1.154	29.3

PACKAGING: 500 PER BAG



01-19

PART NO	L ±.015 (0.38)	
	In.	mm
01-19-30	.375	9.6
01-19-40	.437	11.1
01-19-50	.500	12.7
01-19-60	.562	14.3
01-19-70	.625	15.9
01-19-80	.687	17.5
01-19-90	.750	19
01-19-100	.812	20.6
01-19-110	.875	22.2
01-19-120	.937	23.8
01-19-130	1.00	25.4
01-19-140	1.062	27
01-19-160	1.186	30.1

PACKAGING: 500 PER BAG

MATERIAL	NYLON 66
UL RATING	94V-2
UL FILE NO.	R70062
COLOR	NATURAL
ASTM	D 4066, PA0113
RoHS COMPLIANCE	YES
TEMPERATURE RANGE (REF.)	-40 to 185°F (-40 to 85°C)
MR NUMBER	01

NYLON 66 RATED UL94V-0 AVAILABLE UPON REQUEST
TO ORDER ADD SUFFIX "X" TO PART NUMBER.

				ALL ELECTRONICS HARDWARE, INC. 90 NORTH LIVELY BLVD. ELK GROVE VILLAGE, ILLINOIS 60007-1317 TEL.1-800-778-7234	DUAL LOCK BOARD SUPPORT File No. DLCBSCAT	
No	Revision	Date	Init.			