

FIG. 1
 .156±.003 (4±0.08) DIA HOLE, 1/16 (1.6) THICKNESS.
 BOTH SIDES

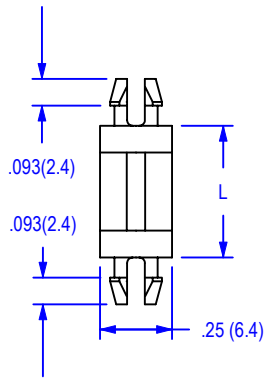


FIG. 2
 .187±.003 (4.75±0.08) DIA HOLE, 1/16 (1.6) THCKNS.
 BOTH SIDES

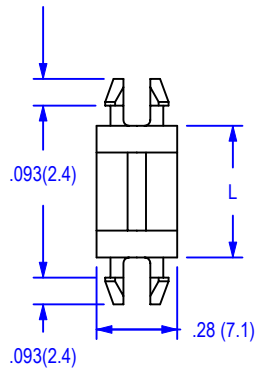
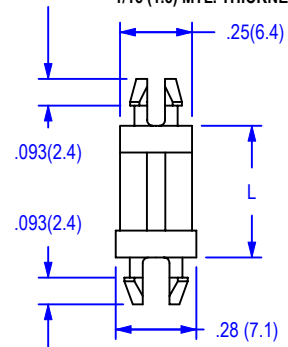


FIG. 3
 .156±.003 (4±0.08) DIA HOLE
 1/16 (1.6) MTL. THICKNES



.187±.003 (4.75±0.08) DIA HOLE
 1/16 (1.6) MTL. THICKNES

FIG 1 ITEM NO.	FIG 2 ITEM NO.	FIG 3 ITEM NO.	DIM. L	
			±.015 Inches	0.38 mm.
01-20-30	01-21-30	01-22-30	.187	4.8
01-20-40	01-21-40	01-22-40	.250	6.4
01-20-60	01-21-60	01-22-60	.375	9.6
01-20-80	01-21-80	01-22-80	.500	12.7
01-20-100	01-21-100	01-22-100	.625	15.9
01-20-120	01-21-120	01-22-120	.750	19.1
01-20-140	01-21-140	01-22-140	.875	22.3
01-20-160	01-21-160	01-22-160	1.00	25.4

MATERIAL	NYLON 66
UL RATING	94V-2
UL FILE NO.	E157012
COLOR	NATURAL
ASTM	D 4066
RoHS COMPLIANCE	YES
TEMPERATURE RANGE (REF.)	-40 to 170°F (-40 to 77°C)
MR NUMBER	25

NYLON 66, RATED UL94V-0 AVAILABLE ON REQUEST.
 TO ORDER ADD SUFFIX "X" TO P/N
 PACKAGING: 500 PCS. PER BAG

FIG. 1

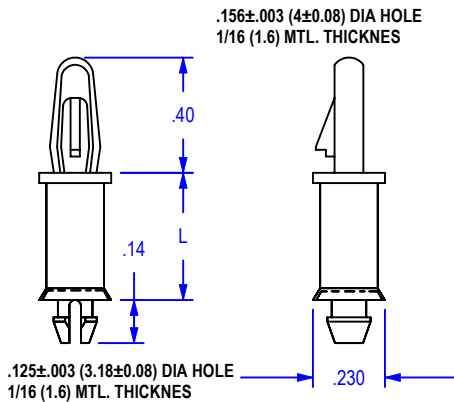


FIG. 2

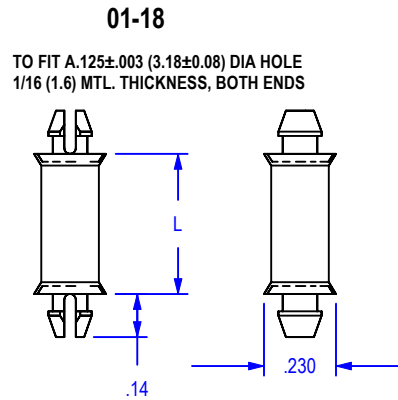


FIG. 1 ITEM NO.	FIG. 2 ITEM NO.	DIM. L	
		±.015 Inches	0.38 mm.
01-17-20	01-18-20	.126	3.2
01-17-40	01-18-40	.252	6.4
01-17-50	01-18-50	.315	8
01-17-60	01-18-60	.378	9.6
01-17-70	01-18-70	.441	11.2
01-17-80	01-18-80	.500	12.7
01-17-100	01-18-100	.626	15.9
01-17-120	01-18-120	.752	19.1
01-17-140	01-18-140	.878	22.3
01-17-160	01-18-160	1.00	25.4

MATERIAL	NYLON 66
UL RATING	94V-2
UL FILE NO.	E41938
COLOR	NATURAL
ASTM	D 4066, PA111
RoHS COMPLIANCE	YES
TEMPERATURE RANGE (REF.)	-40 to 185°F (-40 to 85°C)
MR NUMBER	12

NYLON 66, RATED UL94V-0 AVAILABLE ON REQUEST.
 TO ORDER ADD SUFFIX "X" TO P/N
 PACKAGING: 500 PCS. PER BAG

No	Revision	Date	Init.

ALL ELECTRONICS HARDWARE , INC.
 90 NORTH LIVELY BLVD.
 ELK GROVE VILLAGE, ILLINOIS
 60007-1317 TEL.1-800-778-7234

MINI SUPPORT POSTS

File No. **202122CAT**

06-08-06

