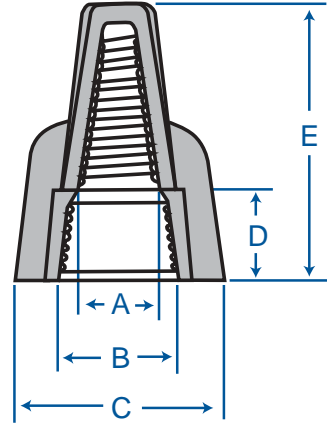


WC SERIES

- Wing-type screw-on wire connectors (WC Series)
- Temperature rating: 105° C
- UL94V-2 flame retardant material



ITEM NO.	Color	Volts	Wire Range		Pieces Per Bag	Pieces Per Carton (Bags per Master Carton)
			Min	Max		
19-WC-YW-D	Yellow	600*/300	No. 18 thru No. 10 AWG		500	5,000 (10 plastic bags, 500 ea.)
			2 #18	3 #12		
19-WC-TN-D	Tan	600*/300	No. 22 thru No. 8 AWG		500	5,000 (10 plastic bags, 500 ea.)
			3 #22	3 #10		
19-WC-RD-D	Red	600*/300	No. 18 thru No. 8 AWG		500	5,000 (10 plastic bags, 500 ea.)
			3 #16	5 #12		
19-WC-GY-CCL	Grey	600*	No. 18 thru No. 8 AWG		250	2,500 (10 plastic bags, 250 ea.)
			3 #14 w/ 1 #18	3 #10 or 4 #12		
19-WC-BL-C	Blue	600*	No. 14 thru No. 6 AWG		100	1,500 (15 plastic bags, 100 ea.)
			2 #10 w/ 1 #12	1 #8 w/3 #10		

- UL Listed & CSA Approved
- * 1,000V maximum in fixtures and signs

GROUNDING CONNECTOR

ITEM NO.	Color	Grounding Connector Only	Wire Range		Pieces Per Bag	Pieces Per Carton (Bags per Master Carton)
			Min	Max		
19-WC-GR-D	Green		No. 14 thru No. 10 AWG		500	5,000 (10 plastic bags, 500 ea.)
			2 #14	3 #12 w/ 1 #14		

- UL Listed & CSA Approved

ITEM NO.	A		B		C		D		E	
	inches	(mm)	inches	(mm)	inches	(mm)	inches	(mm)	inches	(mm)
19-WC-YW-D	.252	(6.4)	.386	(9.8)	.717	(18.2)	.354	(9.0)	1.016	(25.8)
19-WC-TN-D	.283	(7.2)	.457	(11.6)	.720	(18.3)	.362	(9.2)	1.142	(29.0)
19-WC-RD-D	.354	(9.0)	.531	(13.5)	.906	(23.0)	.378	(9.6)	1.252	(31.8)
19-WC-GY-CCL	.394	(10.0)	.587	(14.9)	1.00	(25.5)	.394	(10.0)	1.311	(33.3)
19-WC-BL-C	.472	(12.0)	.740	(18.8)	1.260	(32.0)	.516	(13.1)	1.575	(40.0)
19-WC-GR-D	.327	(8.3)	.476	(12.1)	.795	(20.2)	.370	(9.4)	1.134	(28.8)