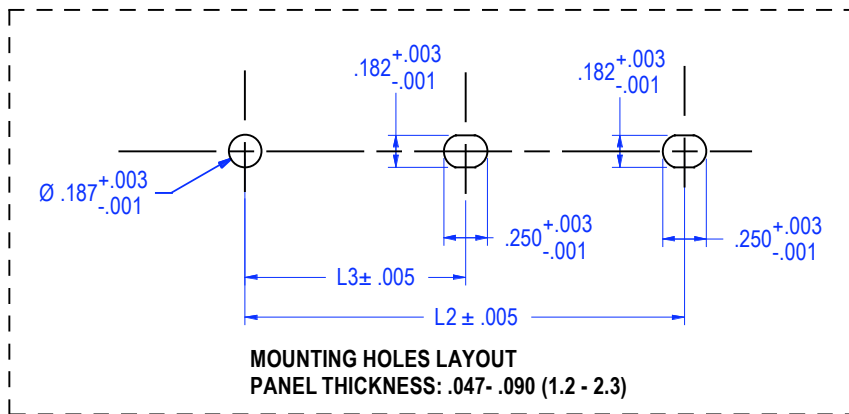
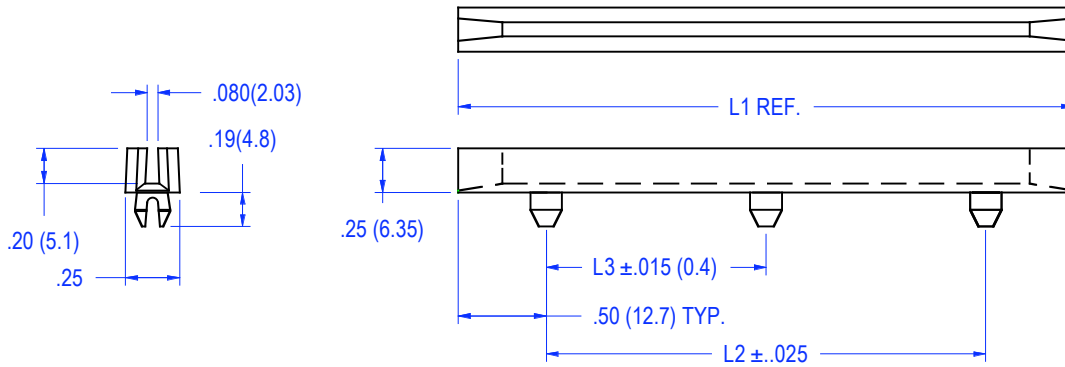


14-06 SERIES



ITEM NO	L1 REF.		L2		L3	
	IN.	mm	±.025 IN.	±0.63 mm	+/- .015 IN.	±0.41 mm
14-06-250	2.5	(63.5)	1.5	(38.1)		
14-06-450	4.5	(114.3)	3.5	(88.9)		
14-06-600	6.0	(152.4)	5.0	(127)		
14-06-800	8.0	(203.2)	7.0	(177.8)		
14-06-800-3	8.0	(203.2)	7.0	(177.8)	3.5	(88.9)

PACKAGING: 500 PCS./BAG.

MATERIAL	NYLON 6/6
UL RATING	94V-0
UL FILE NO.	E157318
COLOR	BLACK
ASTM	D 4066, PA6/610FRBK
RoHS COMPLIANCE	YES
TEMPERATURE RANGE (REF.)	-40 to 185°F (-40 to 85°C)
MR NUMBER	04

				Name	Date	Title		
				Created By	f.lodi	07-08-03	CARD GUIDES, DEEP SLOT, 14-06 SERIES	
G	Removed V-0 Note	06/30/11	FL	Checked By	f.lodi	06-30-11		
F	New address and general update	06/24/08	FL	Tolerance, unless noted .XX = .010 .XXX = .005				
E	added Mt' box	01/23/06	FL	ALL ELECTRONICS HARDWARE, INC. 2642 CORPORATE PARKWAY ALGONQUIN, ILLINOIS. 60102 1 800 778 7234.			Drawing type	Issue
D	updated tolerances	08/23/04	FL				catalog	G
C	Revised hole mount	07/27/04	FL				File Number	1406cat
No	Change	Date	Init					06/30/11