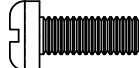


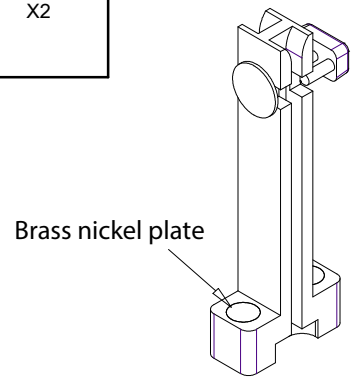

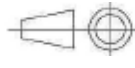


**Notes**

Body: PA6 UL94V2 glass filled 30% color Blue  
 Locking button: PA6 UL94V2 glass filled 30% color Red  
 Inserts: Brass nickel plate  
 Pin: Brass nickel plate  
 INCLUDED HARDWARE  
 RoHS Compliant

INCLUDED HARDWARE	
	X2
	X2
	X2



Tolerances						Part No. <b>14-VM-SERIES</b>	 <b>All Electronics Hardware</b> <a href="http://www.aehonline.com">www.aehonline.com</a>		
Dim.	0-3	>3-6	>6-10	>10-18	>18-30		Description <b>Vertical mount PC board guide</b>		Unit <b>mm</b>
Linear	±0.10	±0.12	±0.15	±0.20	±0.25	Rev. N°			
Bevels	±0.2		±0.5	±0.1					
Angular	3°		2°	1°					