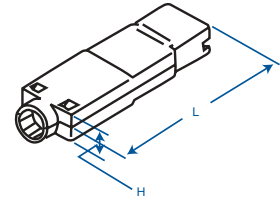
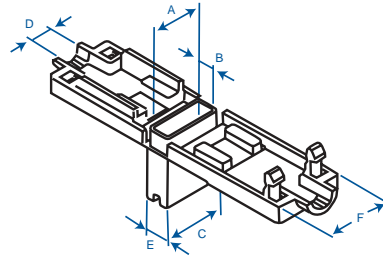


90 SERIES

- Insulating sleeve for straight type receptacles
- Installs easily by hand
- For pre-assembled wire and receptacle
- For 110, 187, 205 and 250 terminal type series



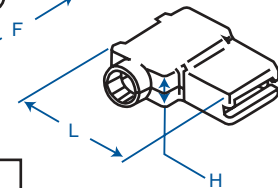
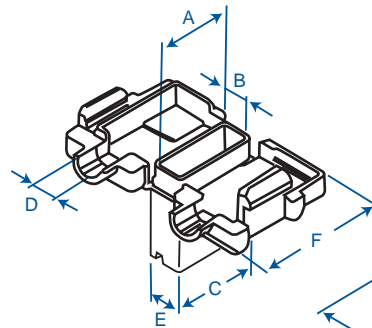
| | | |
|-------------------------------------|--------------------|-----------|
| MATERIAL UL94V-2 | PRODUCT UL94V-0 | PRODUCT |
| UL YELLOW CARD FILE #: E53664(M) | E53664(M) | E55167(S) |
| CSA #: | — | LR83372 |

| |
|---------------------------------|
| ITEM NO. 10-90-Series |
| COLOR: Natural |
| PACKAGING: 500/bag |
| MATERIAL: Nylon 6 |

| ITEM NO. UL94V-2 | ITEM NO. UL94V-0 | WIRE DIAMETER inches (mm) | D inches (mm) | A inches (mm) | B inches (mm) | C inches (mm) | E inches (mm) | F inches (mm) | H inches (mm) | L inches (mm) |
|---------------------|---------------------|------------------------------|------------------|------------------|------------------|------------------|------------------|------------------|------------------|------------------|
| 10-90-110 | 10-90-110X | .118 (3.0) | .118 (3.0) | .161 (4.1) | .091 (2.3) | .236 (6.0) | .154 (3.9) | .315 (8.0) | .181 (4.6) | .878 (22.3) |
| 10-90-111 | 10-90-111X | | | | .083 (2.1) | .240 (6.1) | .161 (4.1) | .343 (8.7) | | .898 (22.8) |
| 10-90-187 | 10-90-187X | .142 (3.6) | .142 (3.6) | .240 (6.1) | .102 (2.6) | .295 (7.5) | .154 (3.9) | .346 (8.8) | .205 (5.2) | .862 (21.9) |
| 10-90-205 | 10-90-205X | | | .260 (6.6) | .118 (3.0) | .331 (8.4) | .181 (4.6) | .339 (8.6) | | .969 (24.6) |
| 10-90-250 | 10-90-250X | .161 (4.1) | .161 (4.1) | .315 (8.0) | .134 (3.4) | .366 (9.3) | .185 (4.7) | .378 (9.6) | .220 (5.6) | 1.02 (26.0) |
| Tolerance ± | | | | | | | .008 (.2) | | | .020 (.5) |

91 SERIES

- Insulating sleeve for flag type receptacles
- Installs easily by hand
- For pre-assembled wire and receptacle
- For 187, 205 and 250 terminal type series



| | | |
|-------------------------------------|--------------------|-----------|
| MATERIAL UL94V-2 | PRODUCT UL94V-0 | PRODUCT |
| UL YELLOW CARD FILE #: E53664(M) | E53664(M) | E55167(S) |
| CSA #: | — | LR83372 |

| |
|---------------------------------|
| ITEM NO. 10-91-Series |
| COLOR: Natural |
| PACKAGING: 500/bag |
| MATERIAL: Nylon 6 |

| ITEM NO. UL94V-2 | ITEM NO. UL94V-0 | WIRE DIAMETER inches (mm) | D inches (mm) | A inches (mm) | B inches (mm) | C inches (mm) | E inches (mm) | F inches (mm) | H inches (mm) | L inches (mm) |
|---------------------|---------------------|------------------------------|------------------|------------------|------------------|------------------|------------------|------------------|------------------|------------------|
| 10-91-187 | 10-91-187X | .134 (3.4) | .134 (3.4) | .252 (6.4) | .118 (3.0) | .311 (7.9) | .177 (4.5) | .531 (13.5) | .213 (5.4) | .575 (14.6) |
| 10-91-188 | 10-91-199X | .142 (3.6) | .142 (3.6) | | .315 (8.0) | .181 (4.6) | .642 (16.3) | | .205 (5.2) | .642 (16.3) |
| 10-91-205 | 10-91-205X | .158 (4.0) | .158 (4.0) | .272 (6.9) | .122 (3.1) | .343 (8.7) | .193 (4.9) | .579 (14.7) | .228 (5.8) | .661 (16.8) |
| 10-91-250 | 10-91-250X | .154 (3.9) | .154 (3.9) | .346 (8.8) | .154 (3.9) | .406 (10.3) | .201 (5.1) | .630 (16.0) | .236 (6.0) | .709 (18.0) |
| Tolerance ± | | | | | | | .008 (.2) | | | .020 (.5) |