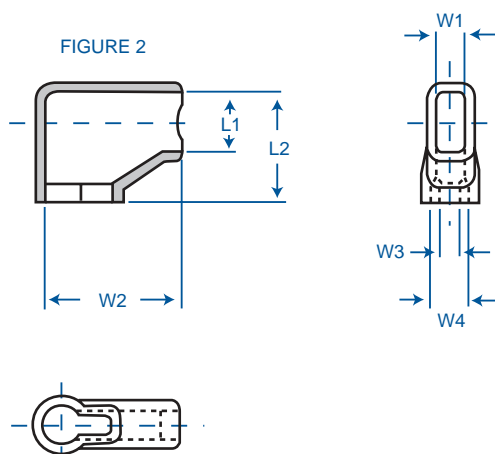
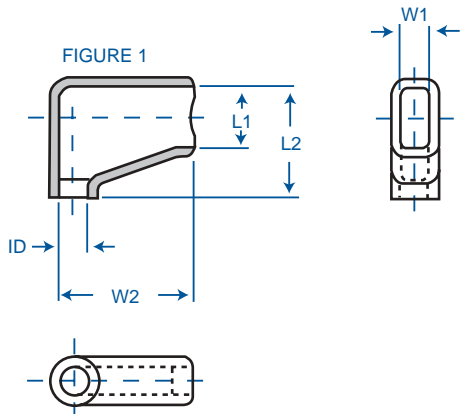


54 SERIES 56 SERIES 58 SERIES 60 SERIES



- Insulating sleeves for flag type receptacles
- 10-54 series for 110 series
- 10-56 series for 187 series
- 10-58 series for 205 series
- 10-60 series for 250 series
- No negative effects due to exposure to copper
- UL temperature rating: 105°
- CSA temperature rating: 105°
- UL voltage: 600V
- CSA voltage: 600V



MATERIAL	PRODUCT
UL YELLOW CARD FILE #: E58538(S)	E55167(S)
CSA #:	— LR52853 & LR52854

ITEM NO.	ID inches (mm)	L1 inches (mm)	L2 inches (mm)	W1 inches (mm)	W2 inches (mm)	W3 inches (mm)	W4 inches (mm)	Figure No.
10-54-535	.138 (3.5)	.177 (4.5)	.531 (13.5)	.098 (2.5)	.472 (12.0)			1
10-56-225	.098 (2.5)							
10-56-230	.118 (3.0)	.244 (6.2)	.453 (11.5)	.118 (3.0)	.551 (14.0)			1
10-56-232	.126 (3.2)							
10-58-525	.098 (2.5)							
10-58-530	.118 (3.0)							
10-58-532	.126 (3.2)							
10-58-540	.158 (4.0)	.335 (8.5)	.531 (13.5)	.177 (4.5)	.689 (17.5)			1
10-58-548	.189 (4.8)							
10-58-550	.197 (5.0)							
10-60-187		.197 (5.0)	.453 (11.5)	.114 (2.9)	.512 (13.0)			
10-60-205		.217 (5.5)	.551 (14.0)	.126 (3.2)	.492 (12.5)	.079 (2.0)	.126 (3.2)	2
10-60-250		.256 (6.5)		.138 (3.5)	.650 (16.5)			
Tolerance ±					.039 (1.0)			

ITEM NO. 10-54-Series 10-56-Series 10-58-Series 10-60-Series	
COLOR:	Transparent Blue* <small>*Other colors available; inquiries welcome</small>
PACKAGING:	1000/bag
MATERIAL:	Soft PVC