

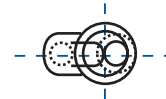
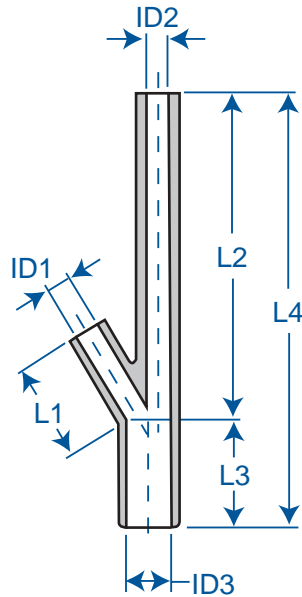
14 SERIES

- Two pronged round shield caps
- UL temperature rating: 105°C
- CSA temperature rating: 90°C
- UL voltage: 600V
- CSA voltage: 300V



MATERIAL	PRODUCT
UL YELLOW CARD FILE #: E58538(S)	E55167(S)
CSA #:	LR52853 & LR52854

ITEM NO. 10-14-Series	
COLOR:	Transparent Blue*
<small>*Other colors available; inquiries welcome</small>	
PACKAGING:	1000/bag
MATERIAL:	Soft PVC



ITEM NO.	ID ₁	ID ₂	ID ₃	L ₁	L ₂	L ₃	L ₄
	inches (mm)	inches (mm)	inches (mm)	inches (mm)	inches (mm)	inches (mm)	inches (mm)
10-14-525	.098 (2.5)	.059 (1.5)	.177 (4.5)	.394 (10.0)	1.18 (30.0)	.394 (10.0)	1.57 (40.0)
10-14-032	.126 (3.2)		.197 (5.0)	.591 (15.0)	.591 (15.0)	.787 (20.0)	1.38 (35.0)
10-14-530	.118 (3.0)	.118 (3.0)	.217 (5.5)	.472 (12.0)		.512 (13.0)	1.10 (28.0)
10-14-830			.228 (5.8)	1.57 (40.0)	.787 (20.0)	2.36 (60.0)	
10-14-235	.138 (3.5)	.098 (2.5)	.244 (6.2)	.591 (15.0)	1.18 (30.0)	.591 (15.0)	1.77 (45.0)
10-14-030	.118 (3.0)	.118 (3.0)	.354 (9.0)	.472 (12.0)	.591 (15.0)	.512 (13.0)	1.10 (28.0)
Tolerance ±				.059 (1.5)		.039 (1.0)	