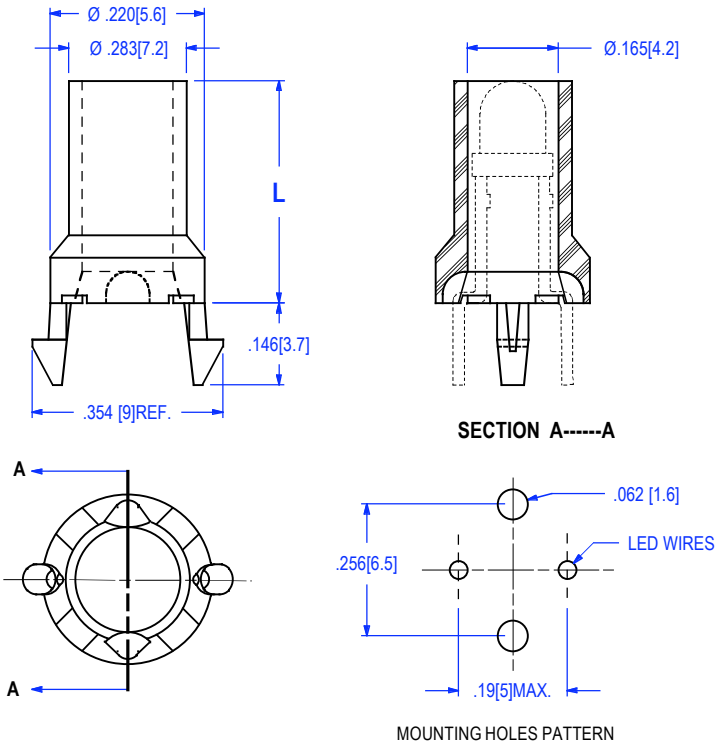


3 mm Ø LED HOLDER

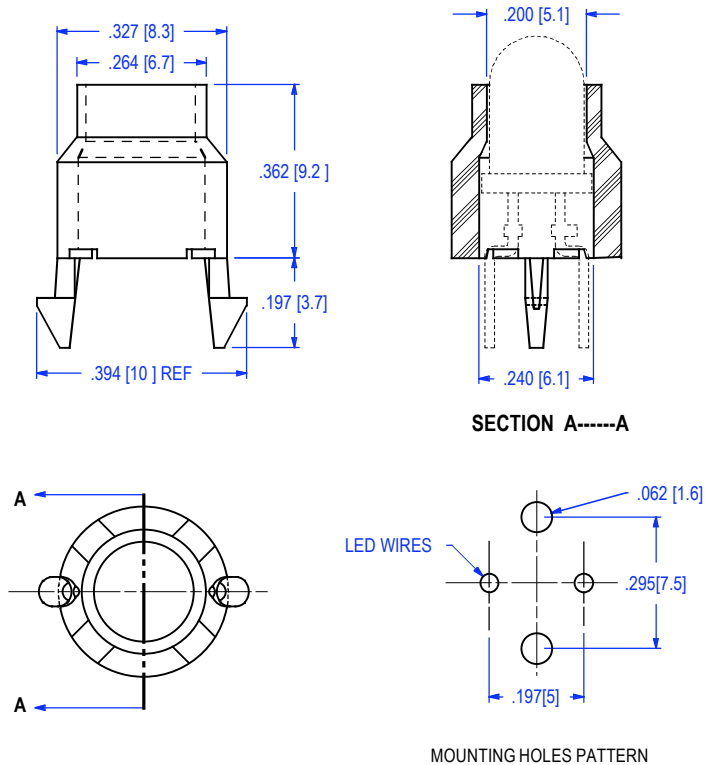


09-06 SERIES

ITEM NO.	L	
	Inches	mm
09-06-80	.314	8
09-06-100	.394	10
09-06-110	.433	11
09-06-120	.472	12
09-06-170	.670	17

- NOTES
 1. TO FIT PC BOARD THICKNESS OF 1/16 (1.6 mm)
 2. COLOR: BLACK
 3. STORE IN SEALED BAG OR CONTAINER.
 4. PACKAGING: 1000 PER BAG.

5 mm Ø LED HOLDER



ITEM NO. 09-11-9.2

- NOTES
 1. TO FIT PC BOARD THICKNESS OF 1/16 (1.6 mm)
 2. COLOR: BLACK
 3. STORE IN SEALED BAG OR CONTAINER.
 4. PACKAGING: 1000 PER BAG.

MATERIAL	NYLON 6
UL RATING	94V-2
UL FILE NO.	E53664
COLOR	BLACK
ASTM	D 406, PA6
RoHS COMPLIANCE	YES
TEMPERATURE RANGE (REF.)	-40 to 185°F (-40 to 85°C)
MR NUMBER	05

				HOLDERS FOR 3 AND 5 mm LED			Issue O
				Dimensions: Inches (mm)	Tolerance: .XX = $\pm .010$.XXX = $\pm .005$	DRAWN BY FL	
				ALL ELECTRONICS HARDWARE INC. 2642 Corporate Parkway Algonquin, IL. 60102 1 800 778 7234		Dwg. Type CATALOG	03-9-10
No	Change	Date	Init			File No. ledholder3&5mm	