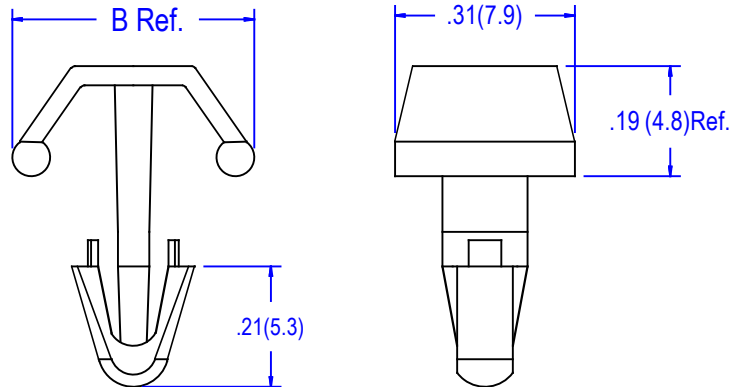


06-11 SERIES



Hole Ø .156±.003 (4±0.08) Dimension B = .39 ( 9.9 ) ITEM NO.	Hole Ø .187±.003 (4.8±0.08) Dimension B = .48 ( 12.3 ) ITEM NO.	Holding Thickness range	
		Inches	mm
06-11-10	06-11-1-10	.031-.094	0.8-2.4
06-11-30	06-11-1-30	.094-.157	2.4-4.0
06-11-50	06-11-1-50	.187-.220	4.8-5.6
06-11-70	06-11-1-70	.220-.280	5.6-7.1
06-11-90	06-11-1-90	.311-.374	7.9-9.5
06-11-110	06-11-1-110	.374-.437	9.5-11.1
06-11-130	06-11-1-130	.437-.500	11.1-12.7
06-11-150	06-11-1-150	.500-.562	12.7-14.3
06-11-170	06-11-1-170	.562-.625	14.3-15.9

PACKAGING : 1000 PER BAG

UL 94V-O MATERIAL AVAILABLE UPON REQUEST  
TO ORDER ADD SUFFIX "X" TO ITEM NUMBER

MATERIAL	NYLON 66
UL RATING	94V-2
UL FILE NO.	E41938
COLOR	NATURAL
ASTM	D 4066, PA111
RoHS COMPLIANCE	YES
TEMPERATURE RANGE (REF.)	-40 to185°F (-40 to 85°C)
MR NUMBER	12

No	Revision	Date	By	F. L	Date	Title	Issue
						MOUNTING BUTTON	O 8-6-16
						CUSTOMER	
						VERIFIED	
						REVIEWED	
						ALL ELECTRONICS HARDWARE, INC. 2642 CORPORATE PARKWAY ALGONQUIN, IL. 60102 1-800-778-7234	