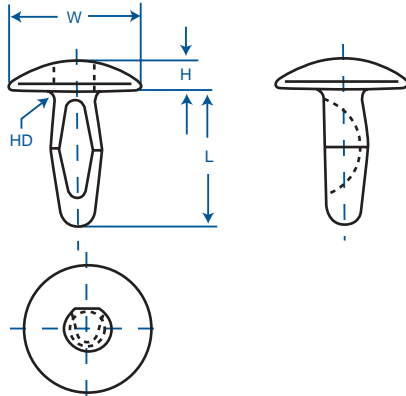


06 SERIES



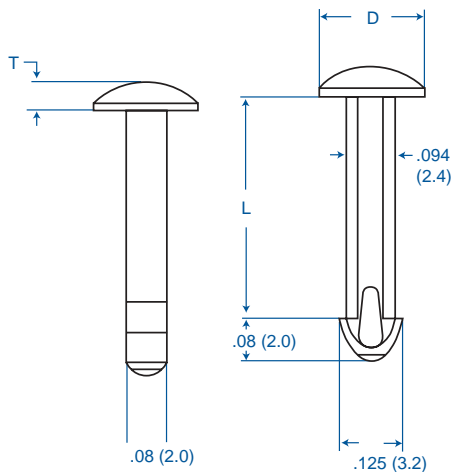
- Mounting buttons
- Installs easily by hand
- Snaps securely in place and is suitable for a variety of panel materials; i.e., plastic, metal, etc.
- Attractive button head
- Material: UL94V-2 (E3806(M))



ITEM NO. UL94V-2	(HD) Hole Diam. Range		Panel Thickness Range		L		W		H	
	inches	(mm)	inches	(mm)	inches	(mm)	inches	(mm)	inches	(mm)
06-06-105	.120-.135	(3.0-3.45)	.062-.125	(1.6-3.2)	.330	(8.4)	.270	(6.9)	.040	(1.0)
06-06-110	.182-.192	(4.6-4.9)	.062-.125	(1.6-3.2)	.400	(10.2)	.360	(9.1)	.060	(1.5)
06-06-140	.131-.141	(3.3-3.6)	.115-.160	(2.9-4.1)	.437	(11.1)	.406	(10.3)	.100	(2.5)
06-06-160	.151-.161	(3.8-4.1)	.062-.125	(1.6-3.2)	.390	(9.9)	.280	(7.1)	.040	(1.0)
06-06-210	.182-.192	(4.6-4.9)	.165-.185	(4.2-4.7)	.525	(13.3)	.375	(9.5)	.060	(1.5)
06-06-230	.250-.260	(6.4-6.6)	.125-.187	(3.2-4.8)	.575	(14.6)	.484	(12.3)	.060	(1.5)
06-06-250	.250-.260	(6.4-6.6)	.125-.250	(3.2-6.4)	.630	(16.0)	.500	(12.7)	.050	(1.3)

ITEM NO. 06-06-Series	
COLOR:	Natural
PACKAGING:	1000/bag
MATERIAL:	Nylon 66

09 SERIES



- Snap-lock rivet
- Tear drop base
- Material: UL94V-2 (E70062)



ITEM NO. UL94V-2	L		Mounting Hole Diameter		T		D	
	inches	(mm)	inches	(mm)	inches	(mm)	inches	(mm)
06-09-2177	.177	(4.5)	.098	(2.5)	.050	(1.3)	.200	(5.2)
06-09-2307	.307	(7.8)						
06-09-2413	.413	(10.5)						

ITEM NO. 06-09-Series	
COLOR:	Natural
PACKAGING:	1000/bag
MATERIAL:	Nylon 66