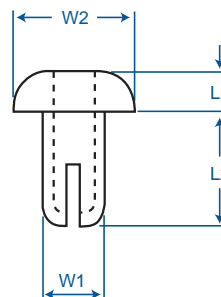
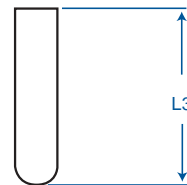


00 SREIES

- Insert and lock into place
- Cost effective
- Material: UL94V-2 (E47924(M))



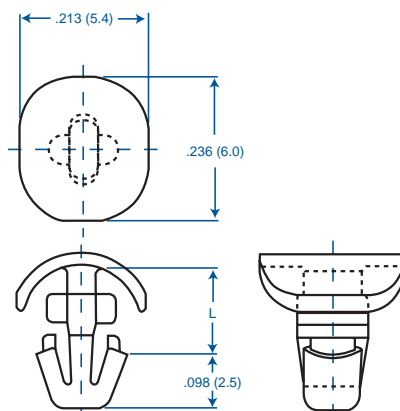
ITEM NO. 06-00-Series	
COLOR:	Black* *Other colors available; inquiries welcome
PACKAGING:	1000/bag
MATERIAL:	Polyethylene (06-00-4850 & 06-00-6060) Nylon 6 (all other sizes)



ITEM NO. UL94V-2	Mounting Hole Dia.		L ₁		L ₂		L ₃		W ₁		W ₂		T Panel Thickness		Extraction Force	
	inches	(mm)	inches	(mm)	inches	(mm)	inches	(mm)	inches	(mm)	inches	(mm)	inches	(mm)	lb	(kg)
06-00-3055	.122	(3.1)	.079	(2.0)	.217	(5.5)	.346	(8.8)	.118	(3.0)	.228	(5.8)	.118-.158	(3.0-4.0)	≥ .315	(8.0)
06-00-4045	.161	(4.1)	.118	(3.0)	.177	(4.5)	.335	(8.5)	.158	(4.0)	.315	(8.0)	.079-.118	(2.0-3.0)	≥ .906	(23.0)
06-00-4850	.189	(4.8)	.126	(3.2)	.197	(5.0)	.413	(10.5)	.189	(4.8)	.386	(9.8)	.047-.118	(1.2-3.0)	≥ .787	(20.0)
06-00-5050	.201	(5.1)	.071	(1.8)		.374	(9.5)	.197	(5.0)	.374	(9.5)	.315	(8.0)	.079-.118	(2.0-3.0)	≥ 1.77
06-00-5060			.236	(6.0)	.118-.158		(3.0-4.0)									
06-00-5070			.276	(7.0)	.158-.197		(4.0-5.0)									
06-00-5080			.315	(8.0)	.197-.236		(5.0-6.0)									
06-00-5090			.354	(9.0)	.236-.276		(6.0-7.0)									
06-00-5115			.150	(3.8)	.453		(11.5)					.610	(15.5)	.315	(8.0)	
06-00-6060	.240	(6.1)	.063	(1.6)	.236	(6.0)	.374	(9.5)	.236	(6.0)	.433	(11.0)	.098-.158	(2.5-4.0)	≥ 1.18	(30.0)
06-00-8515	.339	(8.6)	.217	(5.5)	.610	(15.5)	.827	(21.0)	.335	(8.5)	.669	(17.0)	.276-.433	(6.0-11.0)	≥ 1.97	(50.0)
06-00-8521													.472-.669	(12.0-17.0)		

02 SERIES

- Installs easily by hand
- Barbed arrowhead design locks securely into position
- Releasable from underside of chassis
- Material: UL94V-2 (E53664)



ITEM NO. UL94V-2	
COLOR:	Black
PACKAGING:	500/bag
MATERIAL:	Nylon 66

ITEM NO. UL94V-2	L		Panel Thickness		HD Hole Diameter		Insertion Force		Extraction Force	
	inches	(mm)	inches	(mm)	inches	(mm)	lb.	(kg)	lb.	(kg)
06-02-32025	.114	(2.9)	.079-.098	(2.0-2.5)	.118	(3.0)	.059-.098	(1.5-2.5)	≥ .354	(9.0)
06-02-32530	.134	(3.4)	.098-.118	(2.5-3.0)						