

**17 SERIES
18 SERIES**

- Split routing clip

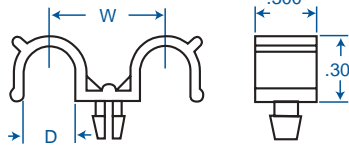
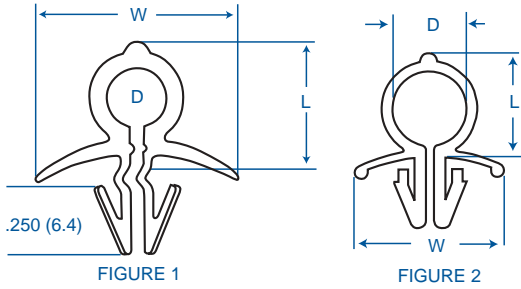


FIGURE 3

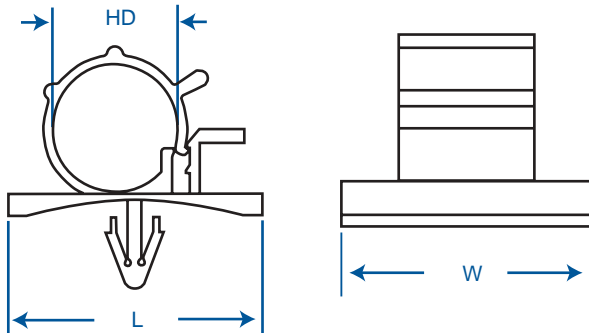


ITEM NO.	Mounting Hole Dia.		Panel Thickness		"D"		W		L (REF)		Fig. No.
	inches	(mm)	inches	(mm)	inches	(mm)	inches	(mm)	inches	(mm)	
04-17-220	.250	(6.4)	.062-.093	(1.6-2.3)	.224	(5.7)	.786	(19.9)	.500	(12.7)	1
04-17-250	.250	(6.4)	.031-.062	(.8-1.6)	.295	(7.5)	.590	(14.9)	.454	(11.5)	2
04-18-40	.125	(3.2)	.062	(1.6)	.250	(6.4)	.543	(13.8)			3

ITEM NO.	
COLOR:	Natural
PACKAGING:	1000/bag
MATERIAL:	Nylon 66

19 SERIES

- Push mount locking clips



ITEM NO. UL94V-2	HD (MAX)		Mounting Hole Dia.	Panel Thickness	L		W	
	inches	(mm)			inches	(mm)	inches	(mm)
04-19-40	.275	(7.0)	.187 (4.8)	.031-.093 (.8-2.4)	.985	(25.0)	.787	(20.0)
04-19-50	.315	(8.0)			.985	(25.0)	.787	(20.0)
04-19-60	.393	(10.0)			1.18	(30.0)	.965	(24.5)
04-19-80	.551	(14.0)			1.18	(30.0)	.965	(24.5)
04-19-110	.709	(18.0)			1.18	(30.0)	.965	(24.5)

ITEM NO.	
COLOR:	Grey
PACKAGING:	100/bag
MATERIAL:	Nylon 66