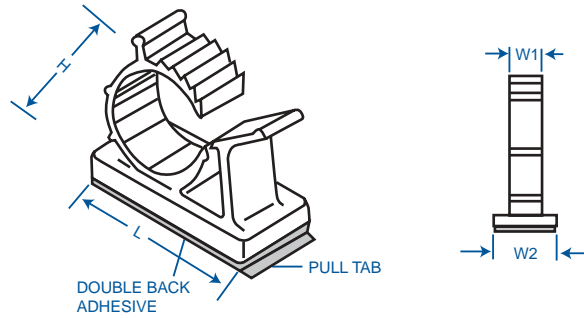


08 SERIES

- Adjusts to accommodate a variety of bundle diameters
- Smooth outer edge reduces stress to operator during initial assembly
- Locks securely yet releasable to remove or change bundles routed
- Adhesive backed
- Material: UL94V-2 (E53664)
UL94V-0 (E41797)



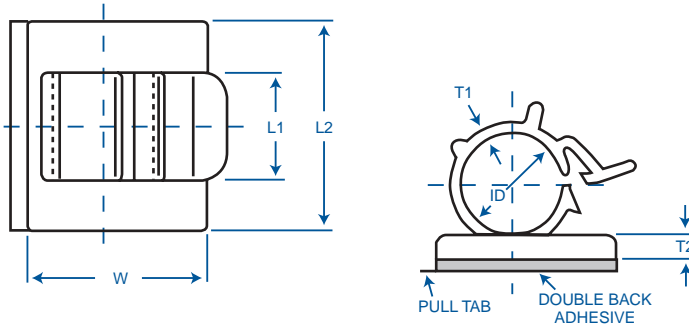
ITEM NO. 04-08-Series	
COLOR:	Natural
PACKAGING:	100/bag
MATERIAL:	Nylon 66



ITEM NO. UL94V-2	ITEM NO. UL94V-0	Bundle Dia. Range inches (mm)	L		W ₁		W ₂		H	
			inches	(mm)	inches	(mm)	inches	(mm)	inches	(mm)
04-08-108	04-08-108X	.311-.406 (7.9-10.3)	1.00	(25.4)	.402	(10.2)			.874	(22.2)
04-08-208	04-08-208X	.469-.563 (11.9-14.3)	1.25	(31.8)	.402	(10.2)	.752	(19.1)	1.09	(27.8)
04-08-308	04-08-308X	.579-.752 (14.7-19.1)	1.50	(38.1)	.500	(12.7)			1.25	(31.8)

06 SERIES

- Adhesive backed base
- Extra wide pull tab on adhesive base is easy to remove; reduces mounting time
- Durable
- Universal applications
- Material: UL94V-2 (E53664(M))



ITEM NO. 04-06-Series	
COLOR:	Gray
PACKAGING:	100/bag (04-06-5048 thru 04-06-5088) 50/bag (04-06-5108 thru 04-06-5258)
MATERIAL:	Nylon 6

ITEM NO.	ID	L ₂	L ₁	W	T ₁	T ₂	
							inches (mm)
04-06-5048	.177 (4.5)		.197 (5.0)	.472 (12.0)		.075 (1.9)	
04-06-5068	.256 (6.5)	.689 (17.5)	.276 (7.0)	.591 (15.0)	.035 (.9)	.091 (2.3)	
04-06-5088	.335 (8.5)		.354 (9.0)			.098 (2.5)	
04-06-5108	.394 (10.0)	.866 (22.0)	.472 (12.0)	1.16 (29.5)	.039 (1.0)	.110 (2.8)	
04-06-5148	.551 (14.0)	.945 (24.0)	.512 (13.0)			.047 (1.2)	.118 (3.0)
04-06-5188	.709 (18.0)	1.06 (27.0)	.551 (14.0)				
04-06-5258	.984 (25.0)	1.34 (34.0)	.689 (17.5)	.177 (45.0)	.059 (1.5)		
Tolerance ±					.012 (.3)		