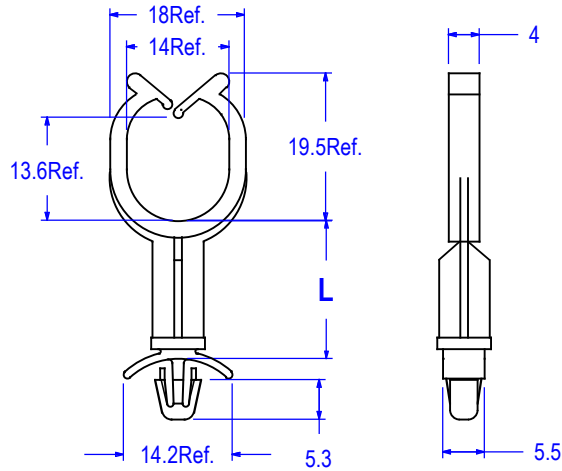


0365 series



4.75 Ø hole, 1.6 panel thickness

ITEM NUMBER	DIM. L (mm) ± 0.38
03-65-60	6
03-65-80	8
03-65-100	10
03-65-120	12
03-65-140	14
03-65-160	16
03-65-180	18
03-65-200	20
03-65-220	22
03-65-240	24
03-65-260	26
03-65-280	28

PACKAGING : 1000 PCS PER BAG .

MATERIAL	NYLON 66
UL RATING	94V-2
UL FILE NO.	E41938
COLOR	NATURAL
RoHS COMPLIANCE	YES
TEMPERATURE RANGE (REF.)	-40 to 185°F (-40 to 85°C)
MR NUMBER	12

MATERIAL RATED UL94V-0 AVAILABLE ON REQUEST.
TO ORDER ADD SUFFIX "X" TO ITEM NUMBER..

				BY	DATE	Title CLIP, WIRE ROUTING , TOP ENTRY. METRIC	
						Part No. see table	Issue A
A	Revised some dimensions,added "METRIC" to title	7-31-19	FL	ALL ELECTRONICS HARDWARE INC. 2642 CORPORATE PARKWAY Algonquin, IL. 60102 1-800-778-7234		Drwg. type CATALOG	08-05-19
No	Revision	Date	Init.			File No. 0365series	