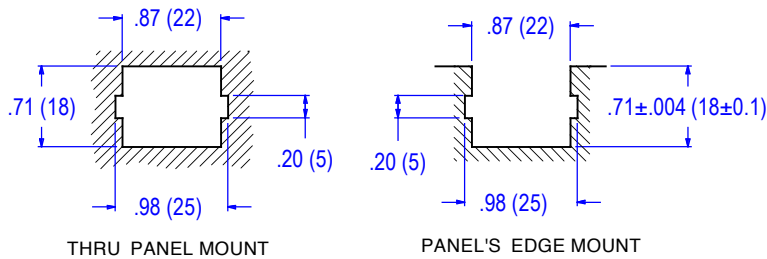
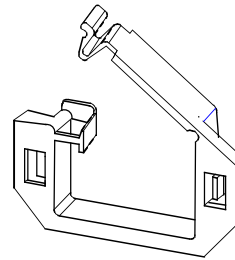
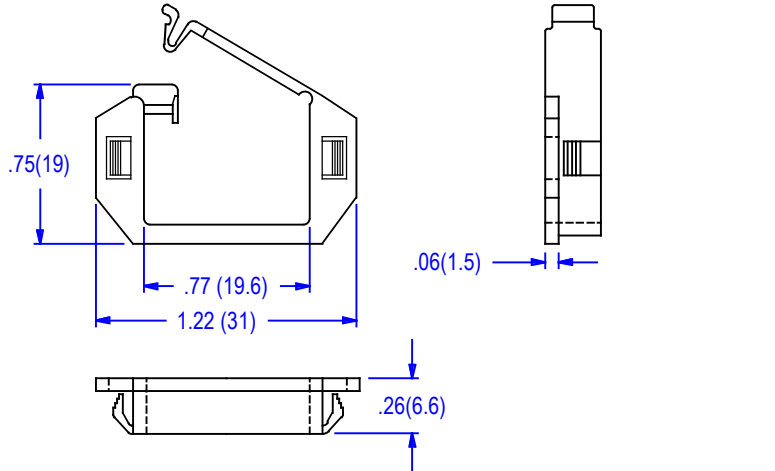


03-52-22

03-52-22
03-52-25.



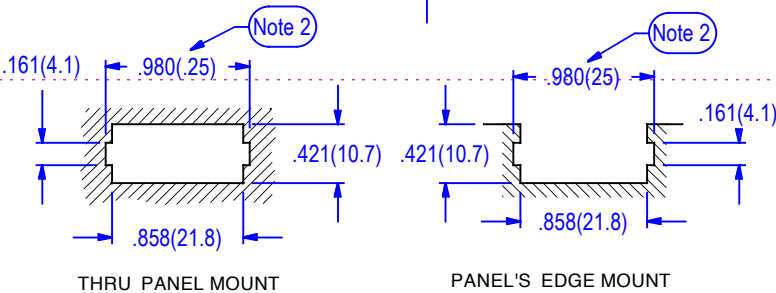
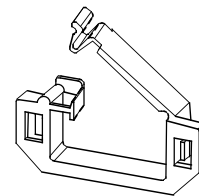
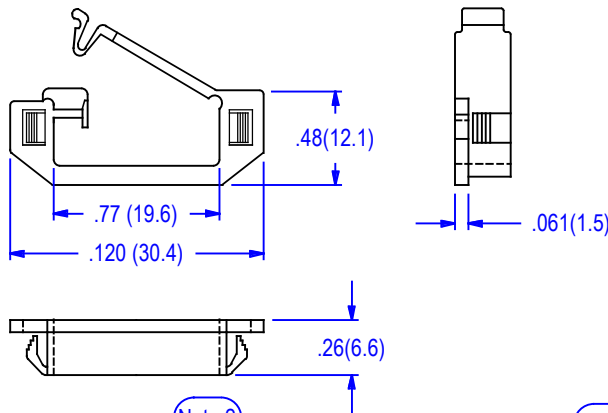
NOTES:

1. PANEL THICKNESS RANGE: .020 to .063 (0.5 to 1.6)
2. CUT-OUTS TOLERANCE ± 0.04 (± 0.1)

PACKAGING: 1000 PER BAG..

MATERIAL	NYLON 66
UL RATING	94V-2
UL FILE NO.	E41938
COLOR	NATURAL
ASTM	D 4066, PA111
RoHS COMPLIANCE	YES
TEMPERATURE RANGE (REF.)	-40 to 185°F (-40 to 85°C)
MR NUMBER	12

03-52-25



NOTES:

1. PANEL THICKNESS RANGE: .031 to .063 (0.8 to 1.6).
2. FOR PANEL THICKNESS OF .079 (2) MAX. CHANGE MOUNTING HOLE DIMENSION .980(25) TO 1.020 (26).
3. CUT-OUTS TOLERANCE: ± 0.04 (± 0.1)

PACKAGING: 1000 PER BAG.

MATERIAL	NYLON 66
UL RATING	94V-2
UL FILE NO.	E41938
COLOR	NATURAL
ASTM	D 4066, PA111
RoHS COMPLIANCE	YES
TEMPERATURE RANGE (REF.)	-40 to 185°F (-40 to 85°C)
MR NUMBER	12

					BY	DATE	Title	EDGE MOUNT WIRE ROUTING	Issue
							File No.	035222&25	A
A	Added part number 03-52-25	8-20-14	FL	REVIEWED			ALL ELECTRONICS HARDWARE, INC. 2642 CORPORATE PARKWAY ALGONQUIN, IL. 60102 1-800-778-7234		
No	Revision	Date	Init	DRAWN	F. LODI	08-20-14			