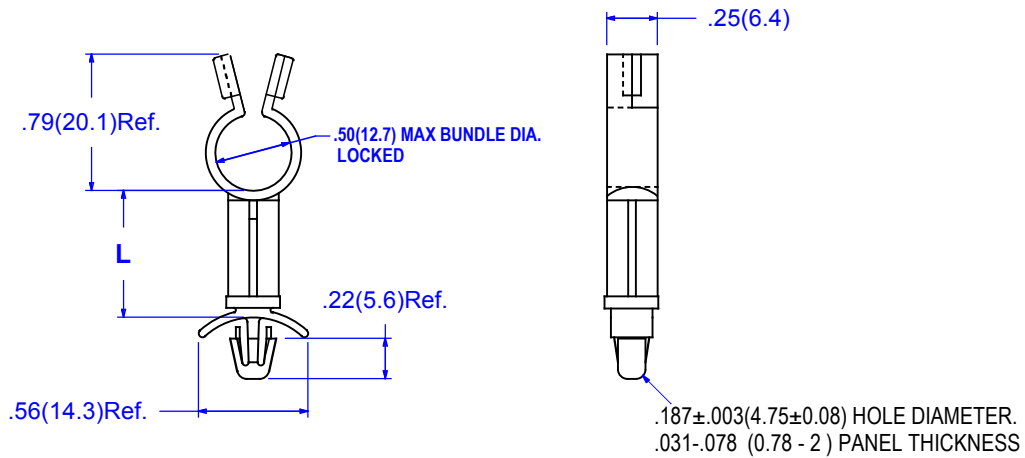


03-77 SERIES



ITEM NO.	L	
	In. ±.015	mm. ± 0.4
03-77-30	.187	4.8
03-77-40	.250	6.4
03-77-60	.375	9.5
03-77-80	.500	12.7
03-77-100	.625	15.9
03-77-160	1.00	25.4

PACKAGING: 1000 PER BAG

MATERIAL RATED UL94V-O AVAILABLE ON REQUEST.
TO ORDER ADD SUFFIX "X" TO ITEM NUMBER.

MATERIAL	NYLON 66
UL RATING	94V-2
UL FILE NO.	E41938
COLOR	NATURAL
RoHS COMPLIANCE	YES
TEMPERATURE RANGE (REF.)	-40 to 185°F (-40 to 85°C)
MR NUMBER	12

				BY	DATE	Title	
				CUSTOMER APPROVAL			WIRE ROUTING CLIP, LOCKING. STAND-OFF
				VERIFIED			
				REVIEWED	DP	12-16-15	Part No.
				DRAWN	FL	12-14-15	SEE TABLE
				DIMENSIONS Inches (mm)		Tolerance .XX= ±.010 .XX=.005	
				ALL ELECTRONICS HARDWARE INC. 2642 CORPORATE PARKWAY Algonquin, IL. 60102 1-800-778-7234			Drwg. type CATALOG
No	Revision	Date	Init.				File No. 03-77series
							Issue O 12-14-15