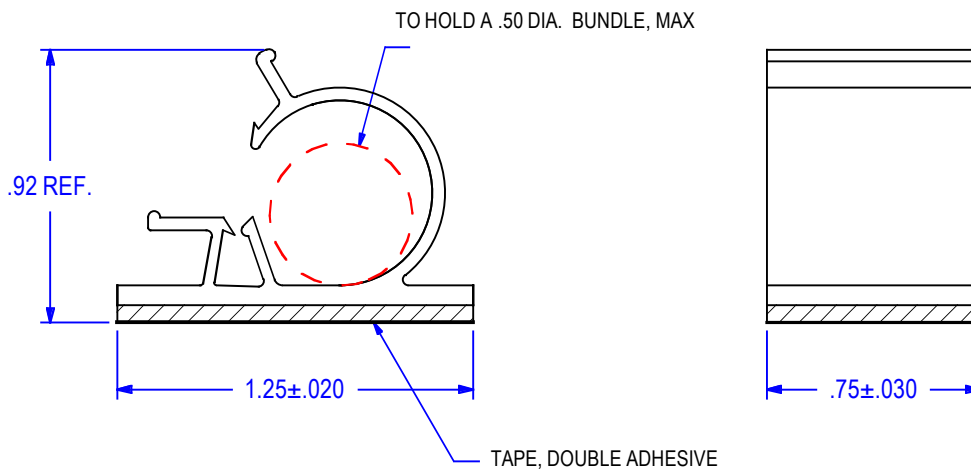
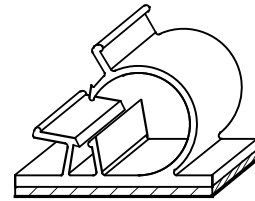


P/N 03-62-808



NOTES:

1. TAPE: 1/16 THICK, RUBBER BASE ADHESIVE.
2. COLOR OTHER THAN BLACK AVAILABLE BY SPECIAL ORDER. MINIMUM REQUIRED.
3. PACKAGING : 100 PER BAG.

MATERIAL.	PVC, RIGID
COLOR	BLACK.
UL RATING	94V-0
UL FILE NO.	E-41877
RoHS COMPLIANCE	YES
TEMPERATURE RANGE (REF.)	32 to 120°F (0 to 50°C)
MR NUMBER	09

No	Revision	Date	Init	DRAWN	BY	DATE	Title	Issue
C	Color was light gray	12-01-16	FL	CUSTOMER APPROVAL	-	-	WIRE CLAMP, SELF ADHSIVE	C 12 01 16
B	was part number 04-000-500	9-29-10	FL	VERIFIED	-	-	File No. 03-62-808	
A	Changed width tolerance.	3-9-09	FL	REVIEWED	FL	09-29-10	ALL ELECTRONICS HARDWARE, INC. 2642 CORPORATE PARKWAY ALGONQUIN, IL. 60102 1-800-778-7234	
No	Revision	Date	Init	DRAWN	FL	03-05-09		