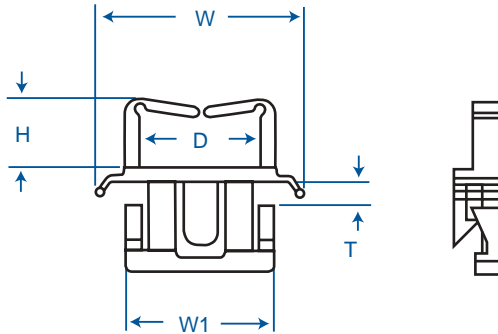


55 SERIES

- Edge hold wire saddle
- Slides on chassis/panel (edge mount)

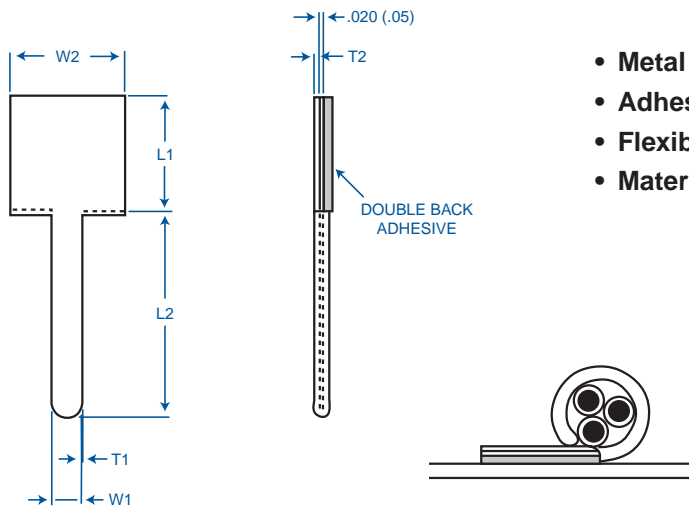


ITEM NO. UL94V-2	D		H		W		W ₁		Panel Thickness Range		T	
	inches	(mm)	inches	(mm)	inches	(mm)	inches	(mm)	inches	(mm)	inches	(mm)
03-55-16	.646	(16.4)	.366	(9.3)	1.11	(28.2)	.795	(20.2)	.040-.080	(1.0-2.0)	.122	(3.1)

ITEM NO. 03-55-Series	
COLOR:	Natural
PACKAGING:	1000/bag
MATERIAL:	Nylon 66

15 SERIES

- Metal clip coated with soft PVC for insulation
- Adhesive backed base
- Flexible and reusable
- Material: (soft PVC coating) E58538(S)



ITEM NO.	L ₁		L ₂		W ₁		W ₂		T ₁		T ₂	
	inches	(mm)	inches	(mm)	inches	(mm)	inches	(mm)	inches	(mm)	inches	(mm)
03-15-808	.315	(8.0)	.591	(15.0)	.083	(2.1)	.315	(8.0)	.008	(.2)	.039	(1.0)
03-15-1408	.551	(14.0)	.984	(25.0)	.138	(3.5)	.551	(14.0)	.008	(.2)	.039	(1.0)
03-15-1908	.748	(19.0)	1.18	(30.0)	.158	(4.0)	.748	(19.0)	.008	(.2)	.020	(.5)
Tolerance ±									.002	(.05)	.020	(.5)

ITEM NO. 03-15-Series	
COLOR:	Ivory
PACKAGING:	500/bag
MATERIAL:	.5t Zinc Plated Steel (clip) Soft PVC (coating)