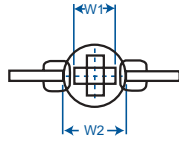
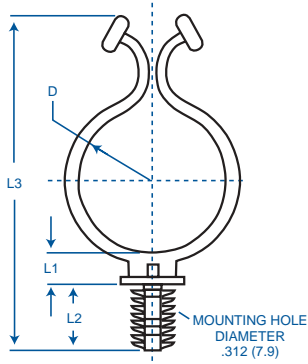


38 SERIES



- Blind hole twist lock
- Routes and secures large bundles
- Snaps into particle board, plastic, wood or metal boards
- Material: UL94V-2 (E41938)

ITEM NO. 03-38-Series	
COLOR:	Natural
PACKAGING:	500/bag
MATERIAL:	Nylon 66



ITEM NO. UL94V-2	D Maximum Bundle Dia. inches (mm)	L ₁		L ₂		L ₃		W ₁		W ₂		Panel Thickness inches (mm)
		inches	(mm)	inches	(mm)	inches	(mm)	inches	(mm)	inches	(mm)	
03-38-1100	1.00-1.20 (25.4-30.5)	.250	(6.4)	.535	(13.6)	2.68	(68.1)	.340	(8.6)	.500	(12.7)	.060 - .400 (1.5 - 10.2)

Smaller Sizes Available - Inquiries Welcome

37 SERIES

- Hinged screw mount twist lock
- Flexible arm
- Reusable and releasable
- Material: UL94V-2 (E41938)

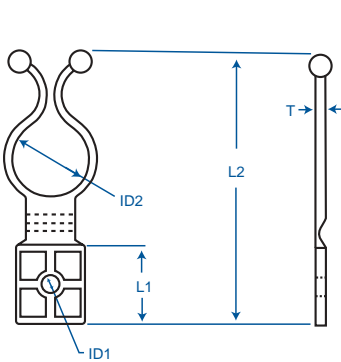


FIGURE 1

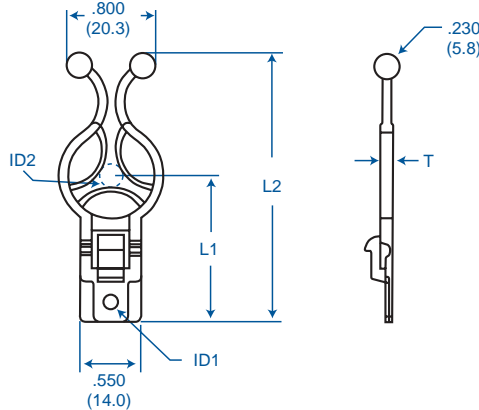


FIGURE 2



ITEM NO. UL94V-2	ID ₁		ID ₂		L ₁		L ₂		T		Screw Size	Figure No.
	inches	(mm)	inches	(mm)	inches	(mm)	inches	(mm)	inches	(mm)		
03-37-750	.190	(4.8)	.750	(19.1)	.750	(19.1)	2.60	(66.1)	.08	(2.0)	#8 (M4)	1
03-37-450W	.130	(3.3)	.14-.48	(3.6-12.2)	1.32	(33.4)	2.4	(61.2)	.12	(3.2)	#4 (M3)	2

ITEM NO. 03-37-Series	
COLOR:	Natural
PACKAGING:	500/bag
MATERIAL:	Nylon 66