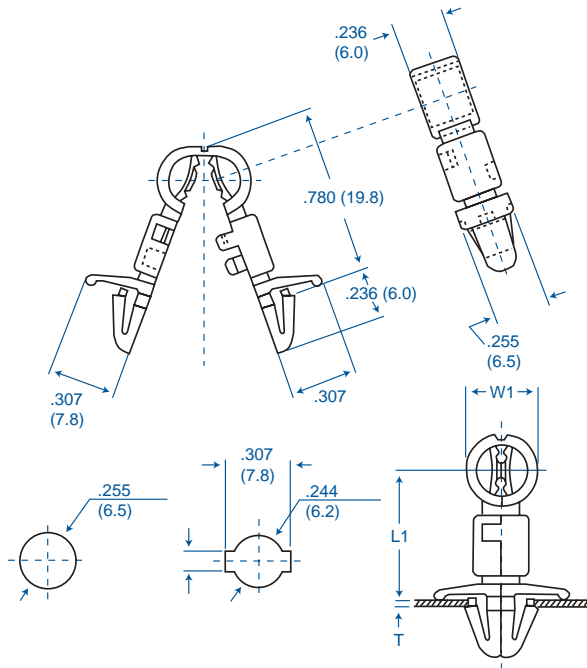


1 2 SERIES

- Wire sensor holder
- Material: UL94V-2 (Nylon 6) E53664



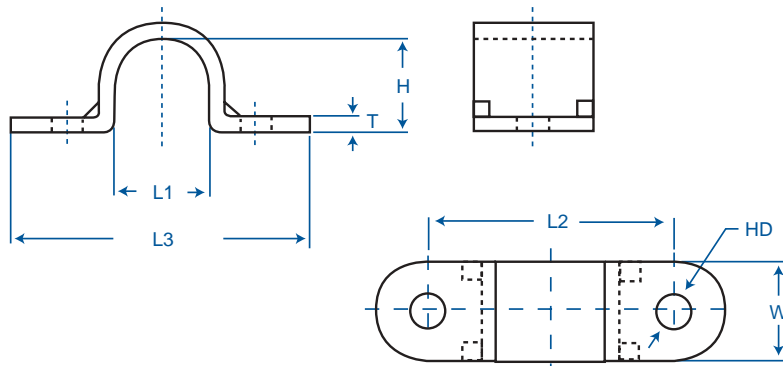
| | |
|---------------------------------|---------|
| ITEM NO. 03-12-Series | |
| COLOR: | Natural |
| PACKAGING: | 500/bag |
| MATERIAL: | Nylon 6 |

| ITEM NO. UL94V-2 | (T) Panel Thickness inches (mm) | L ₁ inches (mm) | W ₁ inches (mm) |
|---------------------|---------------------------------------|-------------------------------|-------------------------------|
| 03-12-10 | .019-.026 (.5-.7) | .591 (15.0) | .335 (8.5) |

1 3 SERIES

- Durable construction
- Mount securely with screws

| | |
|---------------------------------|--------------|
| ITEM NO. 03-13-Series | |
| COLOR: | Natural |
| PACKAGING: | 200/bag |
| MATERIAL: | Polyethylene |



| ITEM NO. | HD Hole Dia inches (mm) | L ₁ inches (mm) | L ₂ inches (mm) | L ₃ inches (mm) | W inches (mm) | H inches (mm) | T inches (mm) |
|----------|-------------------------------|-------------------------------|-------------------------------|-------------------------------|------------------|------------------|------------------|
| 03-13-10 | .158 (4.0) | .472 (12.0) | .945 (24.0) | 1.50 (38.0) | .591 (15.0) | .472 (12.0) | .079 (2.0) |
| 03-13-20 | | .630 (16.0) | 1.42 (36.0) | 2.05 (52.0) | .591 (15.0) | .630 (16.0) | |
| 03-13-30 | .197 (5.0) | .787 (18.0) | 1.50 (38.0) | 2.28 (58.0) | .787 (18.0) | .787 (18.0) | .098 (2.5) |
| 03-13-40 | | .984 (25.0) | 1.97 (50.0) | 2.76 (70.0) | .787 (18.0) | 1.10 (28.0) | |