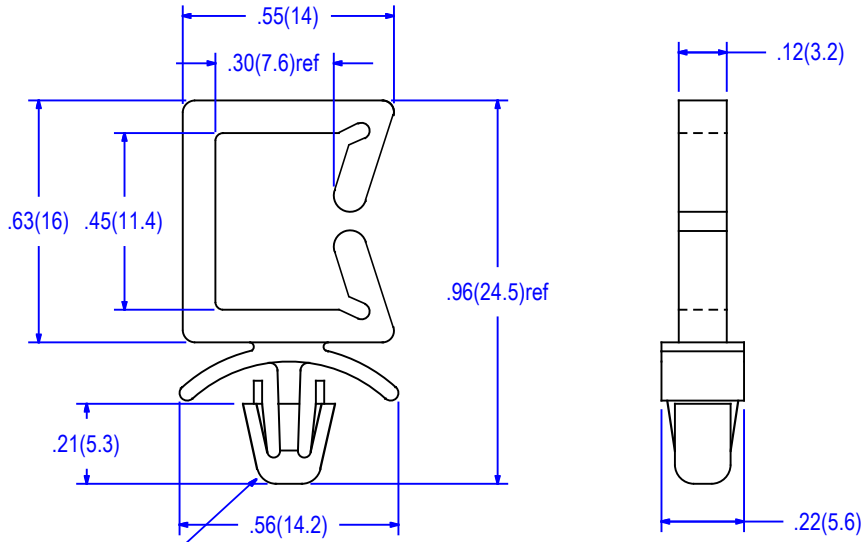


03-02-20



Hole Dia. = .187±.003 (4.75±0.08)  
 Panel Thickness = .062 (1.6)

PACKAGING : 1000 PER BAG

UL 94V-0 MATERIAL AVAILABLE UPON REQUEST  
 TO ORDER ADD SUFFIX "X" TO ITEM NUMBER

|                          |                            |
|--------------------------|----------------------------|
| MATERIAL                 | NYLON 66                   |
| UL RATING                | 94V-2                      |
| UL FILE NO.              | E41938                     |
| COLOR                    | NATURAL                    |
| RoHS COMPLIANCE          | YES                        |
| TEMPERATURE RANGE (REF.) | -40 to 185°F (-40 to 85°C) |
| MR NUMBER                | 12                         |

|    |          |      |       |  |  |      |  |          |
|----|----------|------|-------|--|--|------|--|----------|
|    |          |      |       |  | BY   | DATE | Title<br>WIRE ROUTING DEVICE,<br>SIDE ENTRY 03 SERIES              |          |
|    |          |      |       |  |  |      |  |          |
|    |          |      |       |  |  |      |  |          |
|    |          |      |       |  |  |      | Part No.   | Issue    |
|    |          |      |       |  |  |      | 03-02-20   | 0        |
|    |          |      |       |  |  |      | DIMS. Inches (mm) Tolerance (unless noted) .xx = ±.010 .xxx = .005 |          |
|    |          |      |       |  |  |      | Drwg. type   | 12/07/18 |
|    |          |      |       |  |  |      | Catalog  |          |
| No | Revision | Date | Init. |  | ALL ELECTRONICS HARDWARE INC.<br>2642 CORPORATE PARKWAY<br>ALGONQUIN, ILLINOIS . 60102<br>1-800-778-7234 |      | File No.   | 03-02-20 |