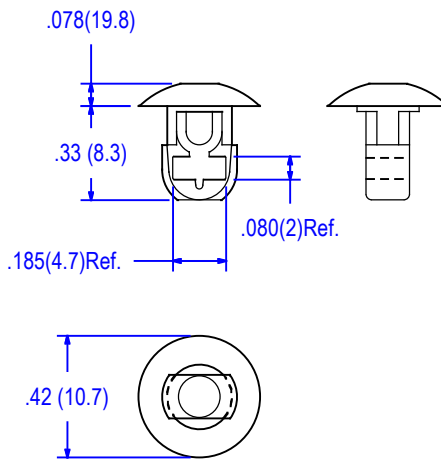


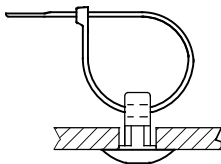
02-51-50



MOUNTING HOLE DIAMETER= .250±.003 (6.35±0.08)
 PANEL THICKNESS : .125 (3.18) MAX.
 ACOMMODATES CABLE TIES FROM 18 to 50 Lbs (8.2 to 22.7Kg.)
 PACKAGING: 1000 PCS PER BAG.

MATERIAL	NYLON 66
UL RATING	94V-2
UL FILE NO.	E41938
COLOR	NATURAL
ASTM	D 4066, PA111
RoHS COMPLIANCE	YES
TEMPERATURE RANGE (REF.)	-40 to 185°F (-40 to 85°C)
MR NUMBER	12

UL 94V-0 MATERIAL AVAILABLE UPON REQUEST
 TO ORDER ADD SUFFIX "X" TO ITEM NUMBER



TYPICAL APPLICATION

					BY	DATE	Title CABLE TIE HOLDER	
					FL	.	Part No.	Issue
					FL	.9-24-14	02-51-50	A
					DIMENSIONS Inches mm Tolerance .xx = ± .010 .xxx = .005			
A	Added slot's dimension.	9-24-14	FL	ALL ELECTRONICS HARDWARE INC. 2642 Corporate Parkway Algonquin, IL. 60102 1-800-778-7234			Drwg. type CATALOG	9-24-14
No	Revision	Date	Init.				File No. 02-51-50	