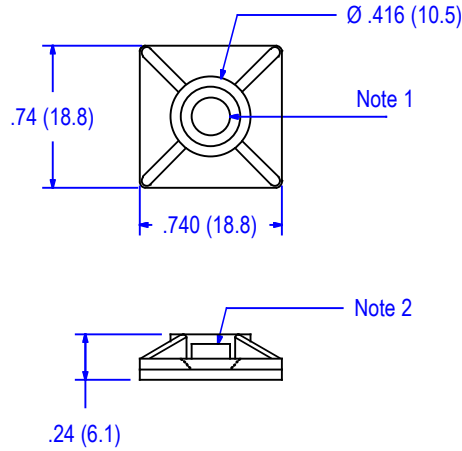
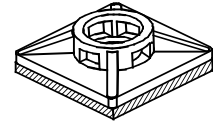


02-50-758E



PART No.	COLOR	PACKAGING
02-50-758E-N	Natural (MR-13)	100 / bag
02-50-758E-UVB	Black (MR-14)	100 / bag

MATERIAL	NYLON 66
UL RATING	94V-2
UL FILE NO.	E70062
COLOR	NATURAL
RoHS COMPLIANCE	YES
TEMPERATURE RANGE (REF.)	-40 to 185°F (-40 to 85°C)
MR NUMBER	13

- Notes:
- .198 (5) Ø hole for optional screw mount.
Use No 10 (M4.5) flat head screw.
 - .185 x .08 (4.7 x 2 mm) slots accommodate Cable Ties from 18 to 40 lb (8.2 to 18 Kg).

MATERIAL	NYLON 66 UV STABLE
UL RATING	94V-2
UL FILE NO.	E70062
COLOR	BLACK
RoHS COMPLIANCE	YES
TEMPERATURE RANGE (REF.)	-40 to 185°F (-40 to 85°C)
MR NUMBER	14

ADHESIVE	RUBBER Base
CARRIER	EVA
THICKNESS	.040 (1mm)
COLOR	WHITE
RoHS COMPLIANCE	NA
SERVICE TEMPERATURE	14 to 158°F (-10 to 70°C)
MR NUMBER	60

No	Revision	Date	Init.	BY	DATE	Title
						Cable Tie Holder
						Part No. 02-50-758E
						Issue 0
						Drwg. type Catalog
						07/15/19
						File No. 02-50-758E
						ALL ELECTRONICS HARDWARE INC. 2642 CORPORATE PARKWAY ALGONQUIN, ILLINOIS . 60102 1-800-778-7234 