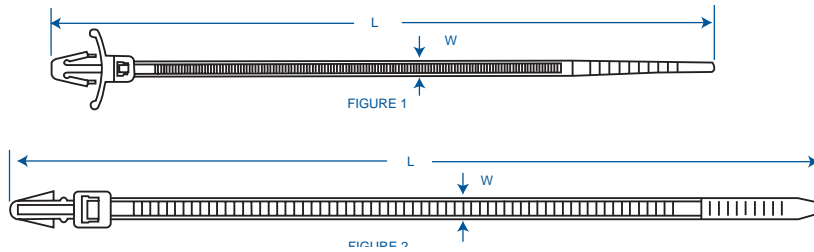


## 18 SERIES



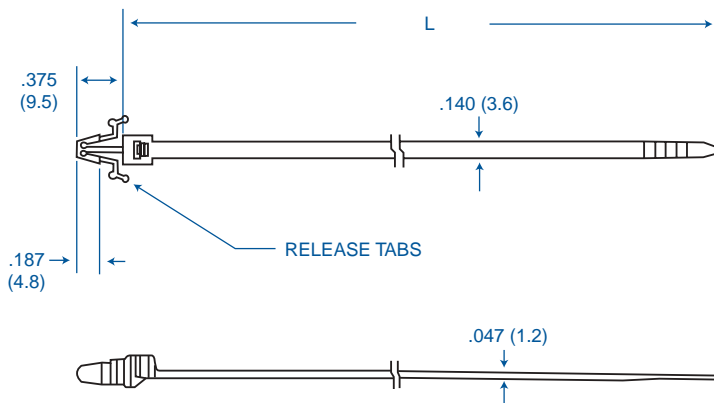
- Arrowhead mount cable ties



	ITEM NO.	
	-N	-UVB
<b>COLOR:</b>	Natural	Black UV Stabilized
<b>PACKAGING:</b>	1000/bag	1000/bag
<b>MATERIAL:</b>	Nylon 66	Nylon 66

ITEM NO.	Natural	Black	Approx Length inches (mm)	Approx Width inches (mm)	Tensile Strength (lbs.)	Mounting Hole Dia. inches (mm)	Chassis Thickness inches (mm)	Fig. No.
02-18-550W-N	02-18-550W-UVB	5.2 (132.0)	.187 (4.8)	50 lbs.	.250 (6.4)	.062-.125 (1.5-3.2)		
02-18-640W-N	02-18-640W-UVB	6.0 (155.0)	.140 (3.5)	40 lbs.	.187 (4.8)	.062 (1.5)		
02-18-550-N	02-18-550-UVB	5.2 (132.5)	.187 (4.8)	50 lbs.	.250 (6.4)	.062-.125 (1.5-3.2)	2	
02-18-550S-N	02-18-550S-UVB	5.2 (132.5)	.187 (4.8)	50 lbs.	.187 (4.8)	.062-.093 (1.5-2.3)		
02-18-640-N	02-18-640-UVB	6.5 (165.0)	.140 (3.5)	40 lbs.	.187 (4.8)	.062-.125 (1.5-3.2)		
02-18-850-N	02-18-850-UVB	8.0 (203.0)	.187 (4.8)	50 lbs.	.250 (6.4)	.062-.125 (1.5-3.2)		
02-18-850S-N	02-18-850S-UVB	8.0 (203.0)	.183 (4.65)	50 lbs.	.187 (4.8)	.062-.093 (1.5-2.3)		

## 14 SERIES



- Pinch release arrowhead tie
- Allows for quick and easy removal from board/chassis



ITEM NO.	Max Bundle Diameter inches (mm)	Approx Length (L) inches (mm)	Tensile Strength (lbs.)	Mounting Hole Dia. inches (mm)	Panel/Chassis Thickness inches (mm)
UL94V-2					
02-14-530-N	1.00 (25.4)	4.75 (120.7)	30 lbs.	.187 (4.8)	.079-.094 (2.0-2.4)
02-14-630-N	1.50 (38.1)	5.75 (146.0)			

ITEM NO.	
<b>COLOR:</b>	Natural
<b>PACKAGING:</b>	1000/bag
<b>MATERIAL:</b>	Nylon 66