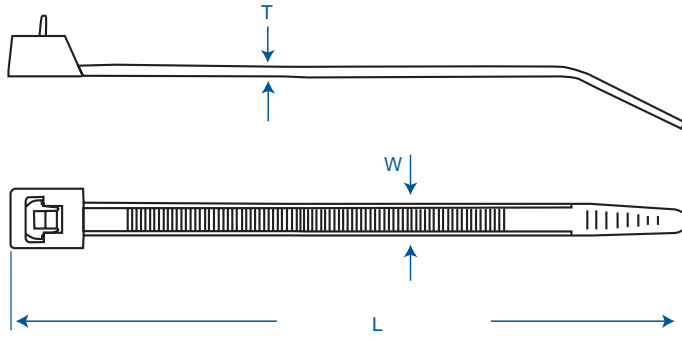


13 SERIES

- Releasable cable ties
- Material: E41938



	ITEM NO.	
	-N	-UVB
COLOR:	Natural	Black
PACKAGING:	1000/bag	1000/bag
MATERIAL:	Nylon 66	Nylon 66 UV Stab.

ITEM NO.		L - Approx		W - Approx.		T - Approx.		Bundle Range		Tensile Strength
Natural	Black	inches	(mm)	inches	(mm)	inches	(mm)	inches	(mm)	
02-13-650-N	02-13-650-UVB	5.9	(150)	.185	(4.7)	.06	(1.5)	1/8-1.5	(3.2-39.0)	50 lb.
02-13-750-N	02-13-750-UVB	7.9	(200)	.185	(4.7)	.06	(1.5)	1/8-2.0	(3.2-55.0)	50 lb.
02-13-1150-N	02-13-1150-UVB	11.0	(280)	.187	(4.8)	.062	(1.6)	1/8-3.0	(3.2-81.0)	50 lb.
02-13-1450-N	02-13-1450-UVB	14.5	(370)	.187	(4.8)	.063	(1.61)	1/8-4.0	(3.2-102.0)	50 lb.

05 SERIES

- Mounting head ties
- Mount method; via screws, see chart for appropriate screw size
- Material: E41938



	ITEM NO.	
	-N Series	-UVB Series
COLOR:	Natural	Black
MATERIAL:	Nylon 66	Nylon 66 UV Stab.



ITEM NO.		Bundle Diam. Range inches (mm)	Approx. Length inches (mm)	Approx. Width inches (mm)	Tensile Strength	Mounting Screw Size	Pack Size
Natural	Black						
02-05-630-N	02-05-630-UVB	1/16-1 1/2 (2.0-40.0)	6.0 (155)	.145 (3.7)	40 lbs.	#8 (M4)	1000
02-05-850-N	02-05-850-UVB	1/16-2.3 (2.0-60.0)	8.0 (205)	.165 (4.2)	50 lbs.	#10 (M5)	1000
02-05-1150-N	02-05-1150-UVB	3/16-3.3 (5.0-85.0)	11.8 (300)	.187 (4.8)	50 lbs.	#10 (M5)	1000
02-05-15120-N	02-05-15120-UVB	3/16-4.75 (5.0-122.0)	15.6 (398)	.310 (7.9)	120 lbs.	1/4 (M6)	100