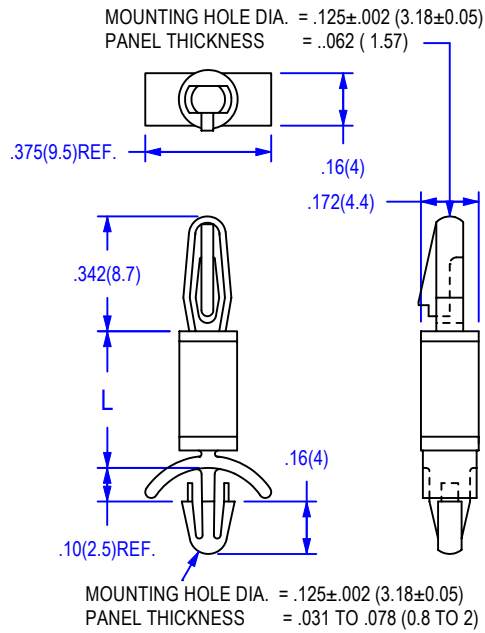


01-54 SERIES



ITEM NO.	L ± .015(0.38)	
	In.	mm
01-54-20	.125	3.18
01-54-30	.187	4.8
01-54-40	.250	6.35
01-54-50	.312	7.9
01-54-60	.375	9.6
01-54-70	.437	11.1
01-54-80	.500	12.7
01-54-90	.563	14.3
01-54-100	.625	15.9

PACKAGING : 1000 PER BAG

MATERIAL	NYLON 66
UL RATING	94V-2
UL FILE NO.	E41938
COLOR	NATURAL
ASTM	D 4066, PA111
RoHS COMPLIANCE	YES
TEMPERATURE RANGE (REF.)	-40 to 185°F (-40 to 85°C)
MR NUMBER	12

				ALL ELECTRONICS HARDWARE, INC. 2642 CORPORATE PARKWAY ALGONQUIN, IL. 60102 1-800-778-7234		Title PCB SUPPORT, MINIATURE		Issue O	
No	Revision	Date	Init.	File No. 0154SERIES		Date 04/28/08			