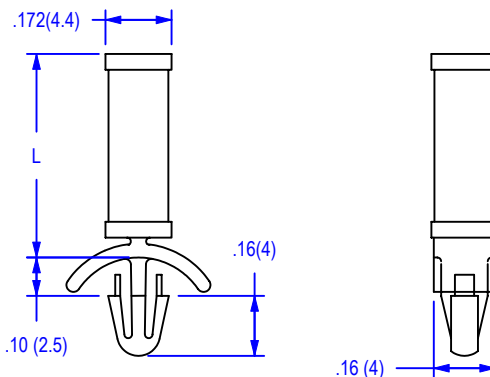


01-53 SERIES



MOUNTING HOLE DIA = $125 \pm .002$ (3.18 \pm 0.05)
 PANEL THICKNESS RANGE = .031 TO .078 (0.8 TO 2)

ITEM NO.	L \pm .015(0.38)	
	In.	mm
01-53-20	.125	3.18
01-53-30	.187	4.8
01-53-40	.250	6.35
01-53-50	.312	7.9
01-53-60	.375	9.6
01-53-70	.437	11.1
01-53-80	.500	12.7
01-53-90	.563	14.3
01-53-100	.625	15.

PACKAGING : 1000 PER BAG

MATERIAL	NYLON 66
UL RATING	94V-2
UL FILE NO.	E41938
COLOR	NATURAL
ASTM	D 4066, PA111
RoHS COMPLIANCE	YES
TEMPERATURE RANGE (REF.)	-40 to 185°F (-40 to 85°C)
MR NUMBER	12

				ALL ELECTRONICS HARDWARE, INC. 2642 CORPORATE PARKWAY ALGONQUIN, IL. 60102 1-800-778-7234		Title PCB SUPPORT	Issue 0
No	Revision	Date	Init.			File No. 0153Series	Date 04/25/08