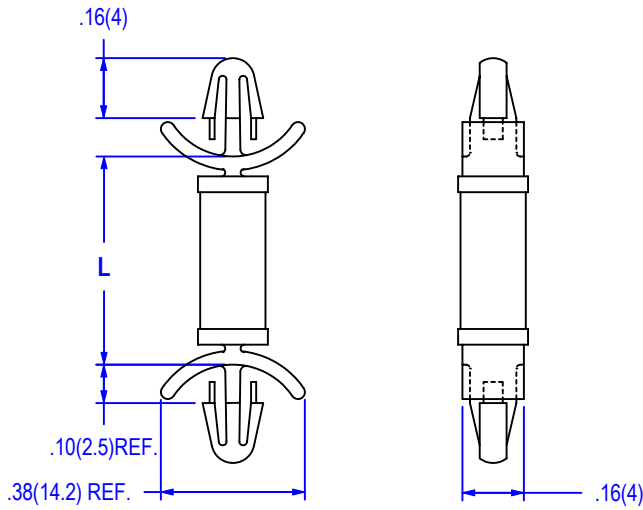


# 01-52 SERIES



MOUNTING HOLE DIAMETER:  $.125 \pm .002$  (3.18 $\pm$ 0.05)  
 PANEL THICKNESS:  $.031 - .078$  (0.79 - 1.98 )  
 BOTH ENDS

ITEM NO.	L $\pm$ .015(0.38)	
	In.	mm
01-52-30	.187	4.8
01-52-40	.250	6.35
01-52-50	.312	7.9
01-52-60	.375	9.6
01-52-70	.437	11.1
01-52-80	.500	12.7
01-52-90	.563	14.3
01-52-100	.625	15.9

PACKAGING : 1000 PER BAG

MATERIAL	NYLON 66
UL RATING	94V-2
UL FILE NO.	E41938
COLOR	NATURAL
ASTM	D 4066, PA111
RoHS COMPLIANCE	YES
TEMPERATURE RANGE (REF.)	-40 to 185°F (-40 to 85°C)
MR NUMBER	12

				ALL ELECTRONICS HARDWARE , INC. 2642 CORPORATE PARKWAY ALGONQUIN, IL. 60102 1-800-778-7234		Title .125 PCB SUPPORT	Issue <b>0</b>
No	Revision	Date	Init.			File No. 0152SERIES	Date 04/11/08