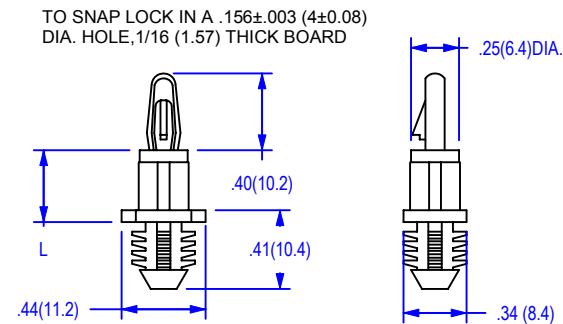


01-35

TO PRESS FIT IN A .312±.003 DIA. HOLE, .25 (6.35) MIN. PANEL THICKNESS

ITEM NO.	L	
	In. +/- .015	mm. 0.4
01-35-20	.125	3.2
01-35-30	.187	4.8
01-35-40	.250	6.4
01-35-50	.312	7.9
01-35-60	.375	9.5
01-35-70	.437	11.1
01-35-80	.500	12.7
01-35-100	.625	15.9
01-35-120	.750	19.1
01-35-140	.875	22.2
01-35-160	1.00	25.4

PACKAGING : 500 PER BAG

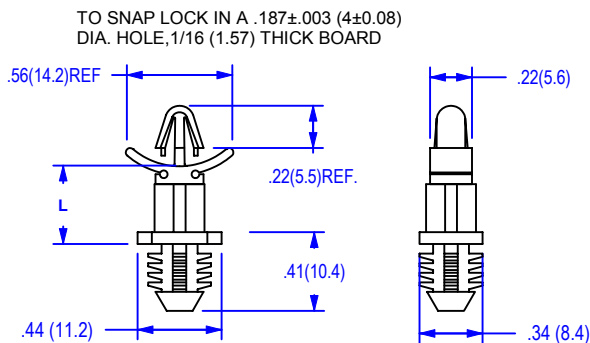


01-35-1

TO PRESS FIT IN A .312±.003 DIA. HOLE, .25 (6.35) MIN. PANEL THICKNESS

ITEM NO.	L	
	In. +/- .015	mm. 0.4
01-35-1-20	.125	3.2
01-35-1-30	.187	4.8
01-35-1-40	.250	6.4
01-35-1-50	.312	7.9
01-35-1-60	.375	9.5
01-35-1-70	.437	11.1
01-35-1-80	.500	12.7
01-35-1-100	.625	15.9
01-35-1-120	.750	19.1
01-35-1-140	.875	22.2
01-35-1-160	1.00	25.4

PACKAGING : 500 PER BAG



01-35-2

TO PRESS FIT IN A .312±.003 DIA. HOLE, .25 (6.35) MIN. PANEL THICKNESS

ITEM NO.	L	
	In. ±.015	mm 0.4
01-35-2-20	.125	3.2
01-35-2-30	.187	4.8
01-35-2-40	.250	6.4
01-35-2-50	.312	7.9
01-35-2-60	.375	9.5
01-35-2-70	.437	11.1
01-35-2-80	.500	12.7
01-35-2-100	.625	15.9
01-35-2-120	.750	19.1
01-35-2-140	.875	22.2
01-35-2-160	1.00	25.4

PACKAGING : 500 PER BAG

MATERIAL	NYLON 66
UL RATING	94V-2
UL FILE NO.	R70062
COLOR	NATURAL
ASTM	D 4066, PA111
RoHS COMPLIANCE	YES
TEMPERATURE RANGE (REF.)	-40 to 185°F (-40 to 85°C)
MR NUMBER	01

NYLON 66 RATED UL94V-0 AVAILABLE UPON REQUEST
TO ORDER ADD SUFFIX "X" TO PART NUMBER

No	Revision	Date	Init.	ALL ELECTRONICS HARDWARE , INC. 90 NORTH LIVELY BLVD. ELK GROVE VILLAGE, ILLINOIS 60007-1317 TEL.1-800-778-7234	PCB SUPPORT. 01-35 SERIES	
					File No. 0135CAT	