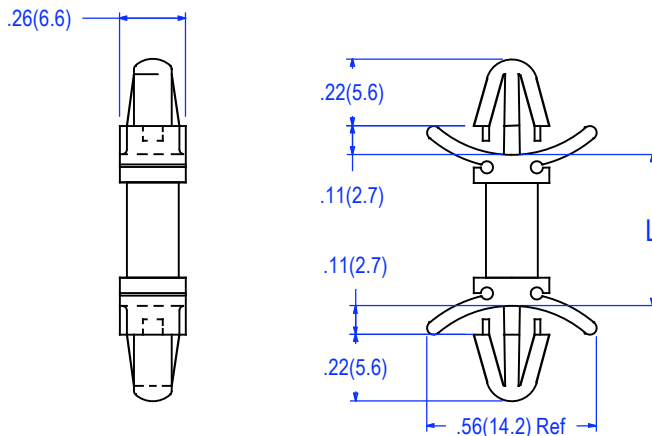


01-19 SERIES



BOTH SIDES TO SNAP LOCK IN A .187 +/- .003 (4.75) DIAMETER HOLE, IN A 1/16 (1.6) NOMINAL PANEL THICKNESS.

ITEM NO.	L ±.015 (0.38)	
	Inches	(mm)
01-19-30	.187	(4.8)
01-19-40	.250	(6.35)
01-19-50	.312	(7.9)
01-19-60	.375	(9.6)
01-19-70	.437	(11.1)
01-19-80	.500	(12.7)
01-19-90	.562	(14.3)
01-19-100	.625	(15.9)
01-19-110	.687	(17.5)
01-19-120	.750	(19)
01-19-130	.812	(20.6)
01-19-140	.875	(22.2)
01-19-160	1.00	(25.4)

PACKAGING: 500 PER BAG

NYLON 66 RATED UL94V-O AVAILABLE UPON REQUEST.
TO ORDER ADD SUFFIX "X" TO ITEM NUMBER.

MATERIAL	NYLON 66
UL RATING	94V-2
UL FILE NO.	E70062
COLOR	NATURAL
ASTM	D 4066, PA0113
RoHS COMPLIANCE	YES
TEMPERATURE RANGE (REF.)	-40 to 185°F (-40 to 85°C)
MR NUMBER	01

				BY	DATE	Title	PCB SUPPORT, DUAL LOCK	Issue
						File No.		
							ALL ELECTRONICS HARDWARE, INC. 2642 CORPORATE PARKWAY ALGONQUIN, IL. 60102 1-800-778-7234	O
		Date	Init	REVIEWED	F. LODI	.11/16/09		
No	Revision	Date	Init	DRAWN	F. LODI	.11/16/09		

11/16/09