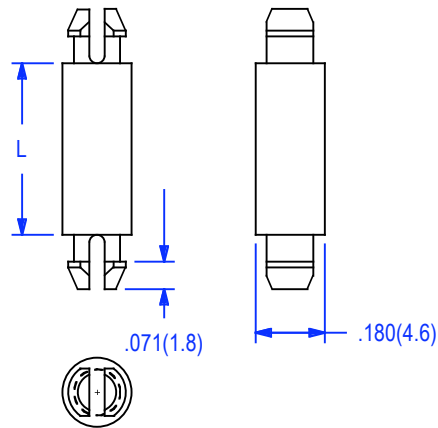


# 01-18A SERIES



MOUNTING HOLE DIA : .125 ± .002 (3.18 ± 0.05)  
 BOARD THICKNESS : .062 (1.57) BOTH ENDS.

ITEM NO.	L	
	Inches ± .015	(mm) (± 0.4)
01-18A-20	.125	3.2
01-18A-30	.187	4.8
01-18A-40	.250	6.4
01-18A-50	.312	7.9
01-18A-60	.375	9.5
01-18A-70	.437	11.1
01-18A-80	.500	12
01-18A-90	.562	14.3
01-18A-100	.625	15.9
01-18A-110	.687	17.5
01-18A-120	.750	19.1
01-18A-130	.812	20.6
01-18A-140	.875	22.2
01-18A-160	1.00	25.4
01-18A-180	1.12	28.6
01-18A-200	1.25	31.8
01-18A-220	1.38	34.9
01-18A-240	1.53	38.9

PACKAGING : 1000 PCS. PER BAG.

UL94V-0 NYLON AVAILABLE UPON REQUEST.  
 TO ORDER ADD SUFFIX "X" TO ITEM NUMBER

MATERIAL	NYLON 66
UL RATING	94V-2
UL FILE NO.	E41938
COLOR	NATURAL
RoHS COMPLIANCE	YES
TEMPERATURE RANGE (REF.)	-40 to 185°F (-40 to 85°C)
MR NUMBER	12

MATERIAL	NYLON 6/66
UL RATING	94V-0
UL FILE NO.	E41871
COLOR	WHITE
RoHS COMPLIANCE	YES
TEMPERATURE RANGE (REF.)	-40 to 185°F (-40 to 85°C)
MR NUMBER	32

				ALL ELECTRONICS HARDWARE, INC. 2642 CORPORATE PARKWAY ALGONQUIN, IL. 60102 1-800-778-7234	Title	PCB SUPPORT, MINIATURE	Issue	<b>A</b>
A	added V-0 note .	11-17-10	FL		File No.	0118ASERIES	Date	11/17/10
No	Revision	Date	Init.					