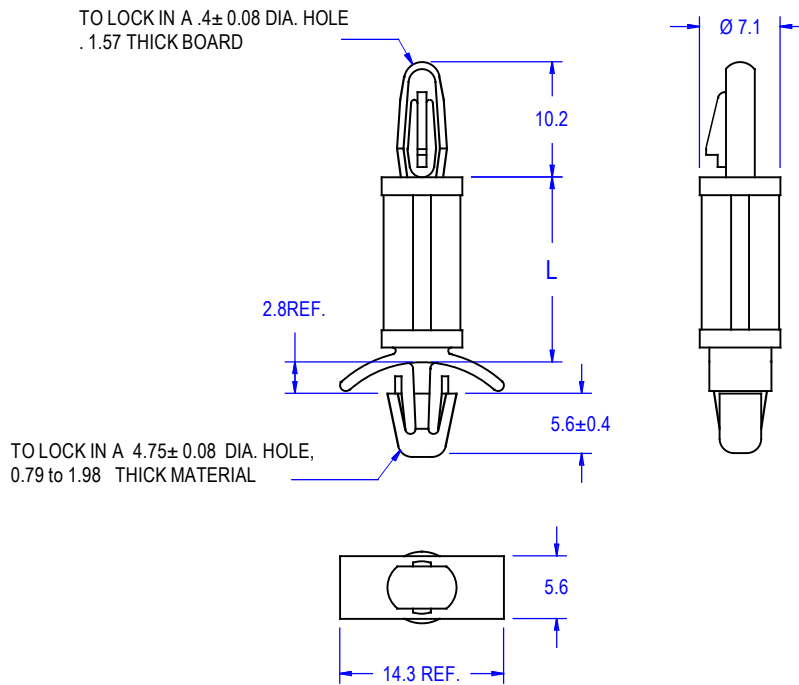


01-13M Series



ITEM NO.	L mm ± 0.4
01-13M-60	6
01-13M-80	8
01-13M-100	10
01-13M-120	12
01-13M-140	14
01-13M-160	16

PACKAGING : 1000 PER BAG

UL 94V-O MATERIAL AVAILABLE UPON REQUEST
 TO ORDER ADD SUFFIX "X" TO ITEM NUMBER

MATERIAL	NYLON 66
UL RATING	94V-2
UL FILE NO.	E41938
COLOR	NATURAL
RoHS COMPLIANCE	YES
TEMPERATURE RANGE (REF.)	-40 to 185°F (-40 to 85°C)
MR NUMBER	12

				BY	DATE	Title	01-13 M series PCBs	Issue
			CUSTOMER			File No.	0113Mseries	B
B	Corrected "L" column	12-22-15	DP	VERIFIED		ALL ELECTRONICS HARDWARE, INC. 2642 CORPORATE PARKWAY ALGONQUIN, IL. 60102 1-800-778-7234		
A	.revised title block	9-17-14	FL	REVIEWED	DP	12-22-15	12-22-15	
No	Revision	Date	Init.	DRAWN	F. LODI	9-12-14		