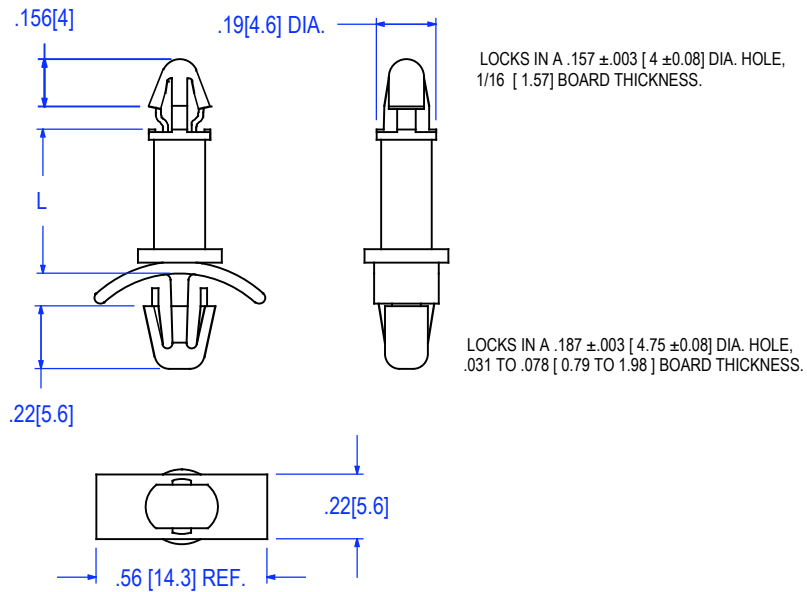


01-13-7 SERIES



ITEM NO.	L	
	In. ±.015	mm. ± 0.4
01-13-7-30	.187	4.8
01-13-7-40	.250	6.4
01-13-7-50	.312	7.9
01-13-7-60	.375	9.5
01-13-7-70	.437	11.1
01-13-7-80	.500	12.7
01-13-7-100	.625	15.9
01-13-7-120	.750	19.1
01-13-7-140	.875	22.2
01-13-7-160	1.00	25.4
01-13-7-180	1.125	28.6
01-13-7-200	1.250	31.7
01-13-7-220	1.375	34.9

PACKAGING : 1000 PER BAG

MATERIAL	NYLON 66
UL RATING	94V-2
UL FILE NO.	E41938
COLOR	NATURAL
ASTM	D 4066, PA111
RoHS COMPLIANCE	YES
TEMPERATURE RANGE (REF.)	-40 to 185°F (-40 to 85°C)
MR NUMBER	12

UL94V-0 MATERIAL AVAILABLE ON REQUEST.
TO ORDER ADD SUFFIX "X" TO ITEM NUMBER.

				BY	Date	Title	PCB SUPPORT, LOCKING 01137SERIES ALL ELECTRONICS HARDWARE, INC. 2642 CORPORATE PARKWAY ALGONQUIN, IL. 60102 1-800-778-7234	Issue
			CUSTOMER'S OK			File No.		O
			VERIFIED					
		Date	Init	REVIEWED				9-03-10
No	Revision	Date	Init	DRAWN	FL	09-03-10		