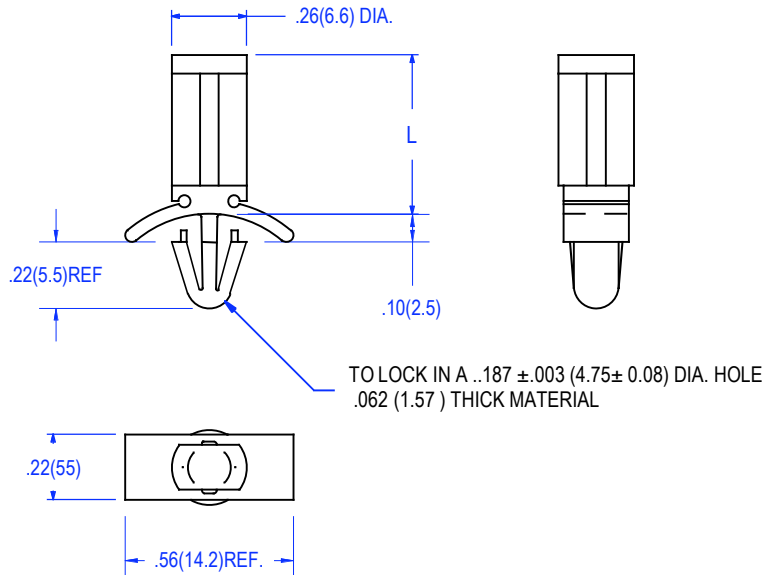


01-04A SERIES



ITEM NO.		L	
UL 94V-2	UL 94V-0	Inches ± .015	(mm) (± 0.4)
01-04A-30	01-04A-30X	.187	(4.8)
01-04A-40	01-04A-40X	.250	(6.4)
01-04A-50	01-04A-50X	.312	(7.9)
01-04A-60	01-04A-60X	.375	(9.5)
01-04A-70	01-04A-70X	.437	(11.1)
01-04A-80	01-04A-80X	.500	(12.7)
01-04A-100	01-04A-100X	.625	(15.9)
01-04A-120	01-04A-120X	.750	(19.1)
01-04A-140	01-04A-140X	.875	(22.2)
01-04A-160	01-04A-160X	1.00	(25.4)
01-04A-180	01-04A-180X	1.12	(28.6)
01-04A-200	01-04A-200X	1.25	(31.8)
01-04A-220	01-04A-220	1.38	(34.9)

PACKAGING:
 NATURAL COLOR PARTS: 500 PCS. PER BAG.
 BLACK PARTS 1000 PCS. PER BAG
 FOR BLACK MATERIAL ADD SUFFIX "BK" TO ITEM NUMBER.

MATERIAL	NYLON 66
UL RATING	94V-2
UL FILE NO.	E70062
COLOR	NATURAL
ASTM	D 4066, PA111
RoHS COMPLIANCE	YES
TEMPERATURE RANGE (REF.)	-40 to 185°F (-40 to 85°C)
MATERIAL NUMBER	MR-01

MATERIAL	NYLON 66
UL RATING	94V-0
UL FILE NO.	E96725
COLOR	NATURAL
ASTM	D 4066, PA111
RoHS COMPLIANCE	YES
TEMPERATURE RANGE(REF)	-40 to 220°F (-40 to 105°C)
MR NUMBER	03

				BY	DATE	Title	Issue		
						PCB SPACER, PUSH	A		
				CUSTOMER'S OK		File No.			
				VERIFIED		0104Aseries			
. Added material table				11-23-09	FL	REVIEWED	F. LODI	11-23-09.	ALL ELECTRONICS HARDWARE, INC. 2642 CORPORATE PARKWAY ALGONQUIN, IL. 60102 1-800-778-7234
No	Revision			Date	Init	DRAWN	F. LODI	11-23-09.	