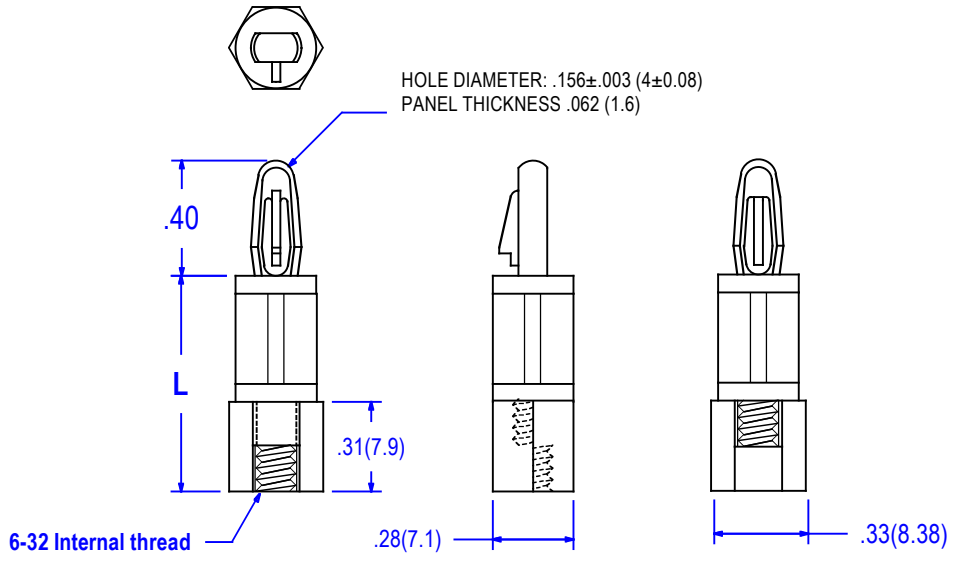


01-76 SERIES



ITEM NO.	L	
	In. ±.015	mm. ± 0.4
01-76-60	.375	9.5
01-76-80	.500	12.7
01-76-100	.625	15.9
01-76-120	.750	19.1
01-76-140	.875	22.2
01-76-160	1.00	25.4

PACKAGING : 1000 PER BAG

UL 94V-O MATERIAL AVAILABLE UPON REQUEST
TO ORDER ADD SUFFIX "X" TO ITEM NUMBER

MATERIAL	NYLON 66
UL RATING	94V-2
UL FILE NO.	E41938
COLOR	NATURAL
RoHS COMPLIANCE	YES
TEMPERATURE RANGE (REF.)	-40 to 185°F (-40 to 85°C)
MR NUMBER	12

				BY	DATE	Title LOCKING CIRCUIT BOARD SUPPORT, THREADED.	
						Part No. See table	Issue A
						Drwg. type CATALOG	02-05-16
						File No. 01-76series	
A	added "back view" and thread note.	2-5-16	FL	ALL ELECTRONICS HARDWARE INC. 2642 Corporate Parkway Algonquin, IL. 60102 1-800-778-7234			
No	Revision	Date	Init.				