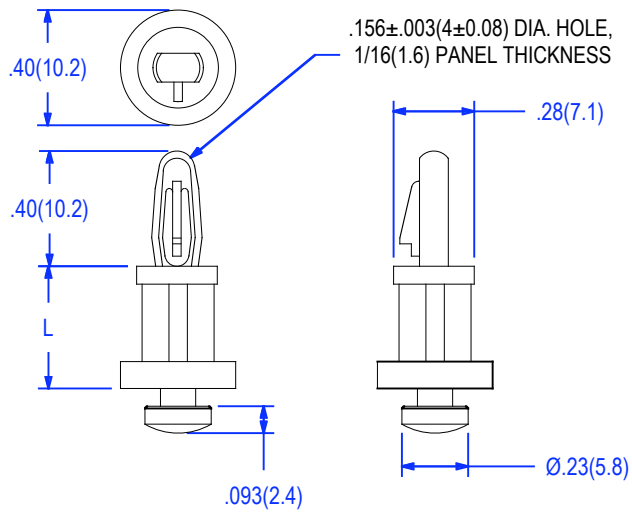
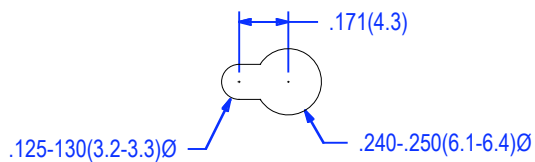


01-55 SERIES



MOUNTING SLOT



ITEM NO.	L	
	In. +/- .015	mm. 0.4
01-55-20	.125	3.2
01-55-30	.187	4.8
01-55-40	.250	6.4
01-55-50	.312	7.9
01-55-60	.375	9.5
01-55-70	.437	11.1
01-55-80	.500	12.7
01-55-90	.563	14.3
01-55-100	.625	15.9
01-55-120	.750	19.1

NOTES:
 1. PACKAGING: 1000 PER BAG.
 2. V-0 RATED NYLON AVAILABLE ON REQUEST.
 TO ORDER ADD SUFFIX "X" TO ITEM NUMBER.

MATERIAL	NYLON 66
UL RATING	94V-2
UL FILE NO.	E70062
COLOR	NATURAL
ASTM	D 4066, PA111
RoHS COMPLIANCE	YES
TEMPERATURE RANGE (REF.)	-40 to 185°F (-40 to 85°C)
MR NUMBER	01

				ALL ELECTRONICS HARDWARE, INC.		Title PCB SUPPORT KEY SLOT MOUNT.		Issue 0	
				2642 CORPORATE PARKWAY					
				ALGONQUIN, IL. 60102 1-800-778-7234		File No. 0155seriesCT		Date 01/13/09	
No	Revision	Date	Init						