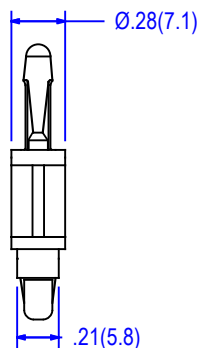
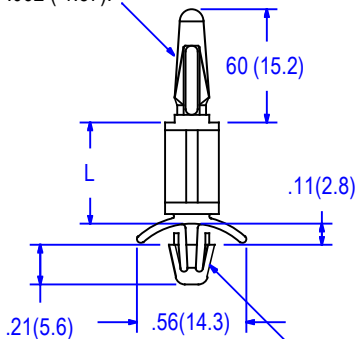


01-13Lseries

Hole Dia: $.156 \pm .003$ (4 ± 0.08)
 Panel thickness $.062$ (1.57).



Hole Dia: $.187 \pm .003$ (4.75 ± 0.08)
 Panel thickness $.031-.078$ ($0.79-1.98$)

ITEM NO.	L	
	In. $\pm .015$	mm. ± 0.4
01-13L-30	.187	4.8
01-13L-40	.250	6.4
01-13L-60	.375	9.5
01-13L-80	.500	12.7
01-13L-100	.625	15.9
01-13L-120	.750	19.1
01-13L-140	.875	22.2

PACKAGING : 1000 PER BAG

UL 94V-O MATERIAL AVAILABLE UPON REQUEST
 TO ORDER ADD SUFFIX "X" TO ITEM NUMBER

MATERIAL	NYLON 66
UL RATING	94V-2
UL FILE NO.	E41938
COLOR	NATURAL
ASTM	D 4066, PA111
RoHS COMPLIANCE	YES
TEMPERATURE RANGE (REF.)	-40 to 185°F (-40 to 85°C)
MR NUMBER	12

					BY	DATE	Title PC BOARD SUPPORT (LONG NOSE)	
							Part No. See Table	Issue O
							Drwg. type Catalog	08/15/16
					DIMS. Inches (mm) Tolerance (unless noted) .xx = $\pm .010$.xxx = $.005$		File No. 01-13Lseries	
					ALL ELECTRONICS HARDWARE INC. 2642 CORPORATE PARKWAY ALGONQUIN, ILLINOIS . 60102 1-800-778-7234 			
No	Revision	Date	Init.					