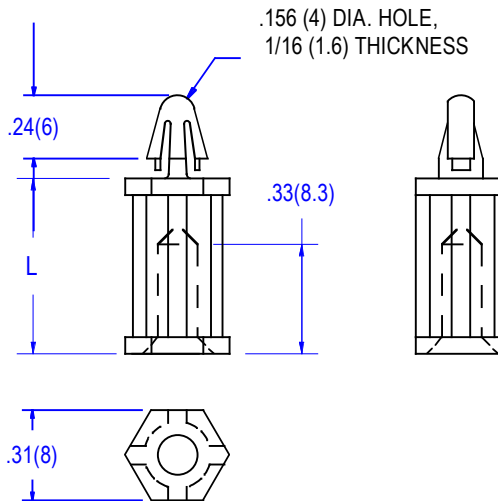


01-10SERIES



ITEM NO.	DIM L	
	Inches ±.015	mm ± 0.38
01-10-40	.250	6.4
01-10-60	.375	9.5
01-10-80	.500	12.7
01-10-90	.562	14.3
01-10-100	.625	15.9
01-10-120	.750	19.1
01-10-140	.875	22.2
01-10-160	1.00	25.4
01-10-180	1.13	28.6
01-10-220	1.38	34.9

PACKAGING: 500 PCS PER BAG

RECOMMENDED INSTALLATION SCREW:
#6 (3.5), SELF TAPPING, TYPE B.

FOR ITEM NO 01-10-40 ONLY: HOLE DEPTH IS .20 (5.1).

MATERIAL	NYLON 66
UL RATING	94V-2
UL FILE NO.	E53664
COLOR	NATURAL
RoHS COMPLIANCE	YES
TEMP. RANGE (Ref.)	-40 to 185°F (-40 to 85°C)
MR NUMBER	05

NYLON 66 RATED UL94V-0 AVAILABLE ON REQUEST.
TO ORDER ADD SUFFIX "X" TO PART NO.

				ALL ELECTRONICS HARDWARE , INC. 2642 CORPORATE PARKWAY ALGONQUIN, IL. 60102 1-800-778-7234	PC SUPPORTS, SCREW MOUNT File No. 01-10SERIES	10/20/20
No	Revision	Date	Init			